

## 2. GLOBE VALVES

### 2.1. GLOBE VALVES WITH HARD SEAT

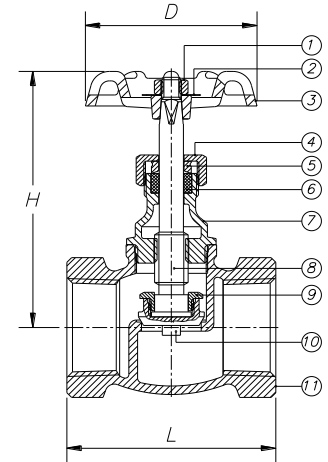


#### FEATURE

BRONZE & BRASS MATERIAL

THREADED ENDS

LOW LEAD  
AB 1953



#### MATERIAL SPECIFICATION

NO	PARTS	BRASS REGULAR	BRONZE REGULAR	BRASS NO LEAD	BRONZE NO LEAD	
1	WHEEL NUT	HOT ROLLED ( SAE 1010R )	HOT ROLLED ( SAE 1010R )	HOT ROLLED ( SAE 1010R )	HOT ROLLED ( SAE 1010R )	
		BRASS ( C26000 )	BRASS ( C26000 )	BRASS ( C26000 )	BRASS ( C26000 )	
2	NAME PLATE	ALUMINIUM ( A1100 )	ALUMINIUM ( A1100 )	ALUMINIUM ( A1100 )	ALUMINIUM ( A1100 )	
3	HAND WHEEL CROSS HANDLE	CAST IRON ( JIS ZZ2202 )	CAST IRON ( JIS ZZ2202 )	CAST IRON ( JIS ZZ2202 )	CAST IRON ( JIS ZZ2202 )	
		BRASS ( C85700 )	BRONZE ( C84400 )	BRASS ( C85700 )	BRONZE ( C84400 )	
	PEGLER HANDLE	CAST IRON ( JIS ZZ2202 )	CAST IRON ( JIS ZZ2202 )	CAST IRON ( JIS ZZ2202 )	CAST IRON ( JIS ZZ2202 )	
4	PACKING NUT	BRASS ( C37700 )	BRASS ( C37700 )	BRASS ( C37700 )	BRASS ( C37700 )	
5	GLAND RING	BRASS ( C37700 )	BRASS ( C37700 )	BRASS ( C37700 )	BRASS ( C37700 )	GB 5,6,7
6	GLAND PACKING	GRAPHITE ( LK 33 NAFG )	GRAPHITE ( LK 33 NAFG )	GRAPHITE ( LK 33 NAFG )	GRAPHITE ( LK 33 NAFG )	
		TEFLON POLYFLON ( PTFE M-392 )	TEFLON POLYFLON ( PTFE M-392 )	TEFLON POLYFLON ( PTFE M-392 )	TEFLON POLYFLON ( PTFE M-392 )	
7	BONNET	BRASS ( C37700 )	BRASS ( C37700 )	BRASS ( C46400 )	BRASS ( C46400 )	GB 0,1,2,3
		BRASS ( C85700 )	BRONZE ( C84400 ) BRONZE ( C83600 )	BRASS ( C46400 MOD )	BRONZE ( C89844 MOD )	GB 4,5,6,7
8	STEM	BRASS ( C37700 )	BRASS ( C37700 )	BRASS ( C46400 )	BRASS ( C46400 )	GB 0,1,2,3,4
		BRASS ( C85700 )	BRONZE ( C84400 ) BRONZE ( C83600 )	BRASS ( C46400 MOD )	BRONZE ( C89844 MOD )	GB 5,6,7
9	LOCK NUT	BRASS ( C37700 )	BRASS ( C37700 )	BRASS ( C46400 )	BRASS ( C46400 )	
10	DISC	BRASS ( C37700 )	BRASS ( C37700 )	BRASS ( C46400 )	BRASS ( C46400 )	GB 0,1,2,3,4
		BRASS ( C85700 )	BRONZE ( C84400 ) BRONZE ( C83600 )	BRASS ( C46400 MOD )	BRONZE ( C89844 MOD )	GB 5,6,7
11	BODY	BRASS ( C85700 )	BRONZE ( C84400 ) BRONZE ( C83600 )	BRASS ( C46400 MOD )	BRONZE ( C89844 MOD )	
CERTIFIED UNDER				AB 1953	AB 1953	

ITEM NO.	SIZE	DIMENSION (mm)			PART NO	QUANTITY	
		L	H	D		IB	OB
GB 0 / GB 0 NL	1/4"	47	67.5	53	1,2,3,4,6,7,9,10,11	10	100
GB 1 / GB 1 NL	3/8"	47	67.5	53	1,2,3,4,6,7,9,10,11	10	100
GB 2 / GB 2 NL	1/2"	48	67.5	53	1,2,3,4,6,7,9,10,11	10	100
GB 3 / GB 3 NL	3/4"	56	75.5	54	1,2,3,4,6,7,9,10,11	5	60
GB 4 / GB 4 NL	1"	64.5	86.5	63	1,2,3,4,6,7,9,10,11	5	40
GB 5 / GB 5 NL	1 1/4"	74	110	69	ALL	5	30
GB 6 / GB 6 NL	1 1/2"	84	130	80	ALL	4	24
GB 7 / GB 7 NL	2"	99.5	153	89.5	ALL	2	16

## 2.2. GLOBE VALVES WITH SOFT SEAT ( RUBBER SEAT / TEFLON SEAT )



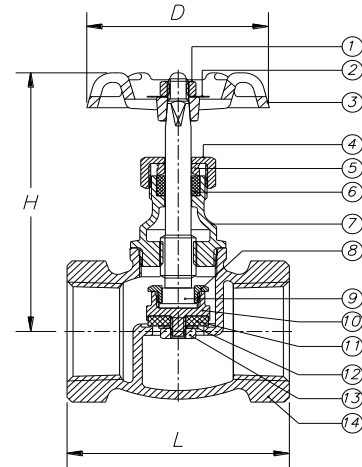
### FEATURE

BRASS & BRONZE MATERIAL

THREADED ENDS

LOW LEAD  
AB 1953

### MATERIAL SPECIFICATION



NO	PARTS	BRASS REGULAR	BRONZE REGULAR	BRASS NO LEAD	BRONZE NO LEAD
1	WHEEL NUT	HOT ROLLED ( SAE 1010R ) BRASS ( C26000 )	HOT ROLLED ( SAE 1010R ) BRASS ( C26000 )	HOT ROLLED ( SAE 1010R ) BRASS ( C26000 )	HOT ROLLED ( SAE 1010R ) BRASS ( C26000 )
2	NAME PLATE	ALUMINIUM ( A1100 )	ALUMINIUM ( A1100 )	ALUMINIUM ( A1100 )	ALUMINIUM ( A1100 )
	HANDWHEEL	CAST IRON ( JIS ZZ2202 )	CAST IRON ( JIS ZZ2202 )	CAST IRON ( JIS ZZ2202 )	CAST IRON ( JIS ZZ2202 )
3	CROSS HANDLE	BRASS ( C85700 )	BRONZE ( C84400 ) BRONZE ( C83600 )	BRASS ( C85700 )	BRONZE ( C84400 ) BRONZE ( C83600 )
	PEGLER HANDLE	CAST IRON ( JIS ZZ2202 )	CAST IRON ( JIS ZZ2202 )	CAST IRON ( JIS ZZ2202 )	CAST IRON ( JIS ZZ2202 )
4	PACKING NUT	BRASS ( C37700 )	BRASS ( C37700 )	BRASS ( C37700 )	BRASS ( C37700 )
5	GLAND RING	BRASS ( C37700 )	BRASS ( C37700 )	BRASS ( C37700 )	BRASS ( C37700 )
6	GLAND PACKING	GRAPHITE ( LK 33 NAFG )	GRAPHITE ( LK 33 NAFG )	GRAPHITE ( LK 33 NAFG )	GRAPHITE ( LK 33 NAFG )
		TEFLON POLYFLON ( PTFE M-392 )	TEFLON POLYFLON ( PTFE M-392 )	TEFLON POLYFLON ( PTFE M-392 )	TEFLON POLYFLON ( PTFE M-392 )
7	BONNET	BRASS ( C37700 )	BRASS ( C37700 )	BRASS ( C46400 )	BRASS ( C46400 )
		BRASS ( C85700 )	BRONZE ( C84400 ) BRONZE ( C83600 )	BRASS ( C46400 MOD )	BRONZE ( C89844 MOD )
8	LOCK NUT	BRASS ( C37700 )	BRASS ( C37700 )	BRASS ( C46400 )	BRASS ( C46400 )
9	STEM	BRASS ( C37700 )	BRASS ( C37700 )	BRASS ( C46400 )	BRASS ( C46400 )
		BRASS ( C85700 )	BRONZE ( C84400 ) BRONZE ( C83600 )	BRASS ( C46400 MOD )	BRONZE ( C89844 MOD )
10	SEAT HOLDER	BRASS ( C37700 )	BRASS ( C37700 )	BRASS ( C46400 )	BRASS ( C46400 )
		BRASS ( C85700 )	BRONZE ( C84400 ) BRONZE ( C83600 )	BRASS ( C46400 MOD )	BRONZE ( C89844 MOD )
11	SEAT PACKING	RUBBER (NBR) SN-819F	RUBBER (NBR) SN-819F	RUBBER (NBR) SN-819F	RUBBER (NBR) SN-819F
		TEFLON POLYFLON ( PTFE M-392 )	TEFLON POLYFLON ( PTFE M-392 )	TEFLON POLYFLON ( PTFE M-392 )	TEFLON POLYFLON ( PTFE M-392 )
12	SEAT WASHER	STAINLESS STEEL ( 304 )	STAINLESS STEEL ( 304 )	STAINLESS STEEL ( 304 )	STAINLESS STEEL ( 304 )
13	SEAT SCREW	BRASS ( C26000 )	BRASS ( C26000 )	BRASS ( C26000 )	BRASS ( C26000 )
	SEAT NUT				
14	BODY	BRASS ( C85700 )	BRONZE ( C84400 )	BRASS ( C46400 MOD )	BRONZE ( C89844 MOD )
			BRONZE ( C83600 )		BRONZE ( C89844 MOD )
CERTIFIED UNDER				AB 1953	AB 1953

GBR/GBT 5,6,7  
GBR/GBT 0,1,2,3  
GBR/GBT 4,5,6,7  
GBR/GBT 0,1,2,3,4  
GBR/GBT 5,6,7  
GBR  
GBT

ITEM NO.	SIZE	DIMENSION (mm)			PART NO	QUANTITY	
		L	H	D		IB	OB
GBR / GBT 0 / NL	1/4"	47	67.5	53	1,2,3,4,6,7,9,10,11,12,14	10	100
GBR / GBT 1 / NL	3/8"	47	67.5	53	1,2,3,4,6,7,9,10,11,12,14	10	100
GBR / GBT 2 / NL	1/2"	48	67.5	53	1,2,3,4,6,7,9,10,11,12,14	10	100
GBR / GBT 3 / NL	3/4"	56	75.5	54	1,2,3,4,6,7,9,10,11,12,14	10	80
GBR / GBT 4 / NL	1"	64.5	86.5	63	1,2,3,4,6,7,9,10,11,12,14	10	60
GBR / GBT 5 / NL	1 1/4"	74	110	69	ALL	5	40
GBR / GBT 6 / NL	1 1/2"	84	130	80	ALL	5	30
GBR / GBT 7 / NL	2"	99.5	153	89.5	ALL	5	20

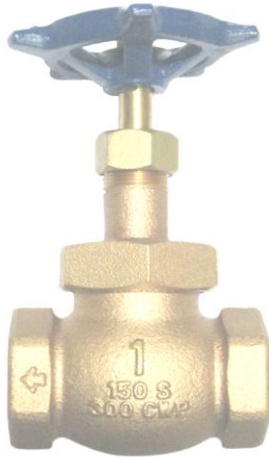
Note : GBR ( Globe Valve with Rubber Seat )  
GBT ( Globe Valve with Teflon Seat )

## 2.3. GLOBE VALVES WITH STUFFING BOX

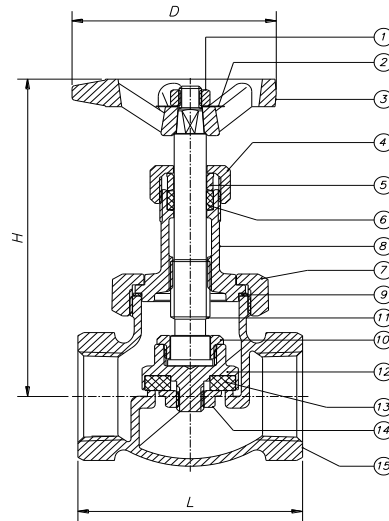
### FEATURE

BRASS & BRONZE MATERIAL

THREADED ENDS



LOW LEAD  
AB 1953



### MATERIAL SPECIFICATION

NO	PARTS	BRASS REGULAR	BRONZE REGULAR	BRASS NO LEAD	BRONZE NO LEAD
1	WHEEL NUT	HOT ROLLED ( SAE 1010R )	HOT ROLLED ( SAE 1010R )	HOT ROLLED ( SAE 1010R )	HOT ROLLED ( SAE 1010R )
2	NAME PLATE	ALUMINIUM ( A1100 )	ALUMINIUM ( A1100 )	ALUMINIUM ( A1100 )	ALUMINIUM ( A1100 )
3	PEGLER HANDLE	CAST IRON ( JIS ZZ2202 )	CAST IRON ( JIS ZZ2202 )	CAST IRON ( JIS ZZ2202 )	CAST IRON ( JIS ZZ2202 )
4	PACKING NUT	BRASS ( C37700 )	BRASS ( C37700 )	BRASS ( C37700 )	BRASS ( C37700 )
5	GLAND RING	BRASS ( C37700 )	BRASS ( C37700 )	BRASS ( C37700 )	BRASS ( C37700 )
6	GLAND PACKING	TEFLON POLYFLON ( PTFE M-392 )	TEFLON POLYFLON ( PTFE M-392 )	TEFLON POLYFLON ( PTFE M-392 )	TEFLON POLYFLON ( PTFE M-392 )
7	BONNET NUT	BRASS ( C85700 )	BRONZE ( C84400 ) BRONZE ( C83600 )	BRASS ( C85700 )	BRONZE ( C84400 ) BRONZE ( C83600 )
8	BONNET	BRASS ( C85700 )	BRONZE ( C84400 ) BRONZE ( C83600 )	BRASS ( C46400 MOD )	BRONZE ( C89844 MOD )
9	GASKET	FIBRE	FIBRE	FIBRE	FIBRE
10	LOCK NUT	BRASS ( C37700 )	BRASS ( C37700 )	BRASS ( C46400 )	BRASS ( C46400 )
11	STEM	BRASS ( C37700 )	BRASS ( C37700 )	BRASS ( C46400 )	BRASS ( C46400 )
12	SEAT HOLDER	BRASS ( C37700 ) BRASS ( C85700 )	BRASS ( C37700 ) BRONZE ( C84400 ) BRONZE ( C83600 )	BRASS ( C46400 ) BRASS ( C46400 MOD )	BRASS ( C46400 ) BRONZE ( C89844 MOD )
13	SEAT PACKING	TEFLON POLYFLON ( PTFE M-392 )	TEFLON POLYFLON ( PTFE M-392 )	TEFLON POLYFLON ( PTFE M-392 )	TEFLON POLYFLON ( PTFE M-392 )
14	SEAT WASHER NUT	BRASS ( C26000 ) BRASS ( C85700 )	BRASS ( C26000 ) BRONZE ( C84400 ) BRONZE ( C83600 )	BRASS ( C26000 ) BRASS ( C46400 MOD )	BRASS ( C26000 ) BRONZE ( C89844 MOD )
15	BODY	BRASS ( C85700 )	BRONZE ( C84400 ) BRONZE ( C83600 )	BRASS ( C46400 MOD )	BRONZE ( C89844 MOD )
CERTIFIED UNDER				AB 1953	AB 1953

GBB  
GBR

ITEM NO.	SIZE	DIMENSION (mm)			PART NO.	QUANTITY	
		L	H	D		IB	OB
GBB 2 / GBB 2 NL	1/2"	57	91	57.5	ALL		
GBB 3 / GBB 3 NL	3/4"	67	99	57.5	ALL		
GBB 4 / GBB 4 NL	1"	77	117	70	ALL		
GBB 5 / GBB 5 NL	1 1/4"	89	130	80	ALL		
GBB 6 / GBB 6 NL	1 1/2"	103	147	95	ALL		
GBB 7 / GBB 7 NL	2"	122	179	109.5	ALL		

## 2.4. GLOBE VALVES WITH FLANGE

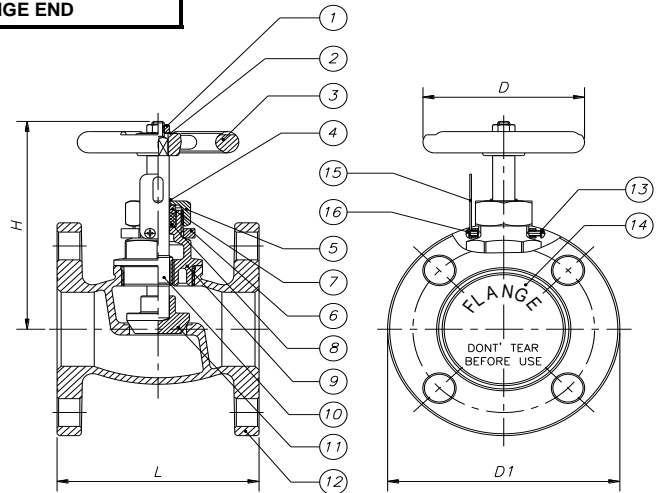
### FEATURE

BRONZE MATERIAL

FLANGE END



LOW LEAD  
AB 1953



### MATERIAL SPECIFICATION

NO	PARTS	BRASS REGULAR	BRONZE REGULAR	BRASS NO LEAD	BRONZE NO LEAD
1	WHEEL NUT	HOT ROLLED ( SAE 1010R )	HOT ROLLED ( SAE 1010R )	HOT ROLLED ( SAE 1010R )	HOT ROLLED ( SAE 1010R )
2	NAME PLATE	ALUMINIUM ( A1100 )	ALUMINIUM ( A1100 )	ALUMINIUM ( A1100 )	ALUMINIUM ( A1100 )
3	HANDWHEEL	CAST IRON ( JIS ZZ2202 )	CAST IRON ( JIS ZZ2202 )	CAST IRON ( JIS ZZ2202 )	CAST IRON ( JIS ZZ2202 )
4	SNAP RING	CARBON STEEL	CARBON STEEL	CARBON STEEL	CARBON STEEL
5	PACKING NUT	BRASS ( C37700 )	BRASS ( C37700 )	BRASS ( C37700 )	BRASS ( C37700 )
6	SCALE WASHER RESSIST	BRASS ( C37700 )	BRASS ( C37700 )	BRASS ( C37700 )	BRASS ( C37700 )
7	GLAND RING	BRASS ( C37700 )	BRASS ( C37700 )	BRASS ( C37700 )	BRASS ( C37700 )
8	GLAND PACKING	TEFLON POLYFLON ( PTFE M-392 )	TEFLON POLYFLON ( PTFE M-392 )	TEFLON POLYFLON ( PTFE M-392 )	TEFLON POLYFLON ( PTFE M-392 )
9	BONNET	BRASS ( C85700 )	BRONZE ( C84400 ) BRONZE ( C83600 )	BRASS ( C46400 MOD )	BRONZE ( C89844 MOD )
10	STEM	BRASS ( C37700 )	BRASS ( C37700 )	BRASS ( C46400 )	BRASS ( C46400 )
11	DISC	BRASS ( C37700 ) BRASS ( C85700 )	BRASS ( C37700 ) BRONZE ( C84400 ) BRONZE ( C83600 )	BRASS ( C46400 ) BRASS ( C46400 MOD )	BRASS ( C46400 ) BRONZE ( C89844 MOD )
12	BODY	BRASS ( C85700 )	BRONZE ( C84400 ) BRONZE ( C83600 )	BRASS ( C46400 MOD )	BRONZE ( C89844 MOD )
13	BOLT	HOT ROLLED ( SAE 1010R )	HOT ROLLED ( SAE 1010R )	HOT ROLLED ( SAE 1010R )	HOT ROLLED ( SAE 1010R )
14	STICKER	PLASTIC	PLASTIC	PLASTIC	PLASTIC
CERTIFIED UNDER				AB 1953	AB 1953

ITEM NO.	SIZE	DIMENSION (mm)				PART NO.	QUANTITY	
		L	H	D	D1		IB	OB
GBF 2 / GBF 2 NL	1/2"	60	70.7	63	80	1,2,3,4,5,6,7,9,10,11,12,13,14,15,16		
GBF 3 / GBF 3 NL	3/4"	70	73.7	63	85	1,2,3,4,5,6,7,9,10,11,12,13,14,15,16		
GBF 4 / GBF 4 NL	1"	80	88.3	80	95	1,2,3,4,5,6,7,9,10,11,12,13,14,15,16		
GBF 5 / GBF 5 NL	1 1/4"	100	112.3	80	115	ALL		
GBF 6 / GBF 6 NL	1 1/2"	100	112.3	80	120	ALL		
GBF 7 / GBF 7 NL	2"	120	137.9	100	130	ALL		
GBF 8 / GBF 8 NL	2 1/2"	140	162.5	126	155	ALL		
GBF 9 / GBF 9 NL	3"	160	196.4	126	180	ALL		
GBF 10 / GBF 10 NL	4"	175	226.5	140	200	ALL		