

5. LOG LIGHTER VALVES

5.1. LOG LIGHTER BALL VALVE



BVL 2 L
BVL 3 L

FEATURE

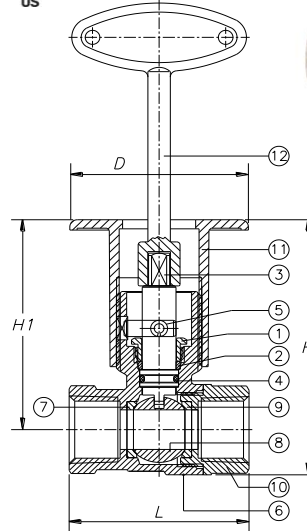
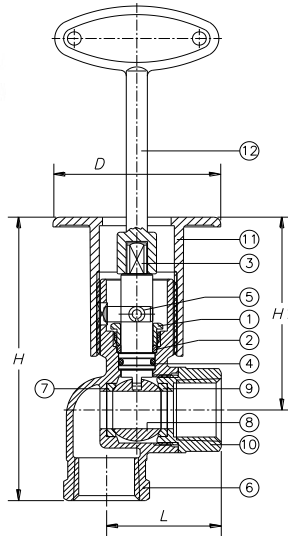
BRASS MATERIAL

THREADED ENDS

LOW LEAD
AB 1953 ✓



BVL 2 S
BVL 3 S



MATERIAL SPECIFICATION

NO	PARTS	BRASS REGULAR
1	PACKING NUT	BRASS (C37700)
2	PACKING	TEFLON POLYFLON (PTFE M-392)
3	STEM	BRASS (C37700)
4	O RING	RUBBER (NBR) SN-719F
5	PIN	STAINLESS STEEL (304)
6	BODY	BRASS (C85700)
7	BALL PACKING	TEFLON POLYFLON (PTFE M-392)
8	BALL	BRASS (C37700)
9	BALL PACKING	TEFLON POLYFLON (PTFE M-392)
10	BONNET	BRASS (C85700)
11	COVER	ZINC (30A)
12	T HANDLE	ZINC (30A)
CERTIFIED UNDER		C CSA US

ITEM NO.	SIZE	DIMENSION (mm)				PART NO.	QUANTITY	
		L	H	H1	D		IB	OB
BVL 2L / BVL 2L NL	1/2" FIP	38	92.5	61.5	55	ALL	5	25
BVL 3L / BVL 3L NL	3/4" FIP	46.7	103	67	55	ALL	5	25
BVL 2S / BVL 2S NL	1/2" FIP	55.5	76	61.5	55	ALL	5	25
BVL 3S / BVL 3S NL	3/4" FIP	65.2	86.5	67	55	ALL	5	25

5.2. LOG LIGHTER STOP VALVES



SVS 2

FEATURE

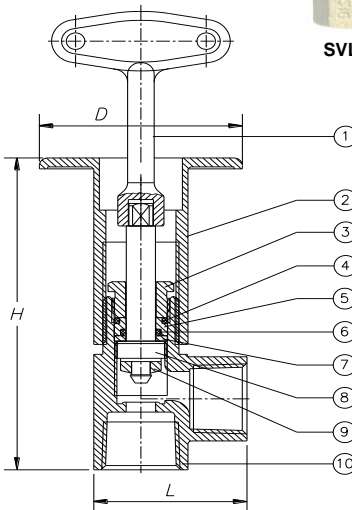
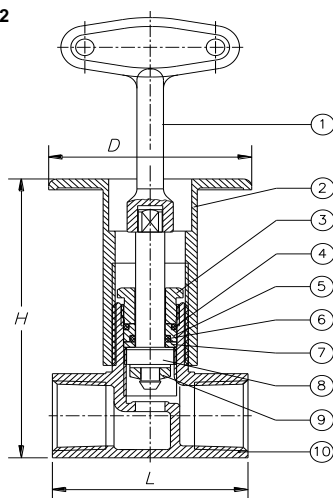
BRASS MATERIAL

THREADED ENDS

LOW LEAD
AB 1953 ✓



SVL 2



MATERIAL SPECIFICATION

NO	PARTS	BRASS REGULAR	BRASS NO LEAD
1	T HANDLE	ZINC (30A)	ZINC (30A)
2	COVER	ZINC (30A)	ZINC (30A)
3	PACKING NUT	BRASS (C37700)	BRASS (C37700)
4	O RING	RUBBER (NBR) SN-719F	RUBBER (NBR) SN-719F
5	O RING HOUSE	TEFLON POLYFLON (PTFE M-392)	TEFLON POLYFLON (PTFE M-392)
6	PACKING	RUBBER (NBR) SN-719F	RUBBER (NBR) SN-719F
7	WASHER	STAINLESS STEEL (304)	STAINLESS STEEL (304)
8	STEM	BRASS (C37700)	BRASS (C46400)
9	SEAT PACKING	NYLON 66	NYLON 66
10	BODY	BRASS (C85700)	BRASS (C46400 MOD)
CERTIFIED UNDER		C CSA US	AB 1953

ITEM NO.	SIZE	DIMENSION (mm)			PART NO.	QUANTITY	
		L	H	D		IB	OB
SVS 2 / SVS 2 NL	1/2"	53	85	55	ALL	15	120
SVL 2 / SVL 2 NL	1/2"	41.5	95	55	ALL	15	120