

# 6. RADIATOR VALVES

## 6.1. STEAM RADIATOR ANGLE VALVES

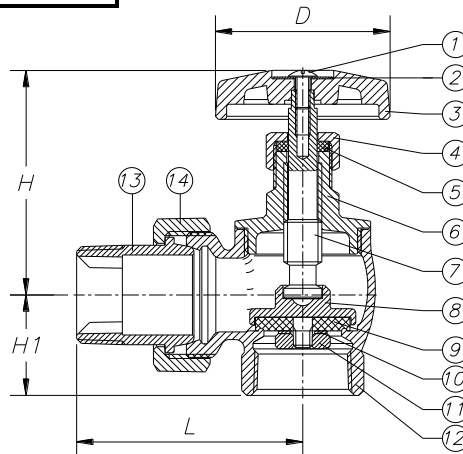
### FEATURE

BRASS & BRONZE MATERIAL

FIP X MIP



LOW LEAD  
AB 1953



### MATERIAL SPECIFICATION

NO	PARTS	BRASS REGULAR	BRONZE REGULAR	BRASS NO LEAD	BRONZE NO LEAD
1	HANDLE BOLT	HOT ROLLED ( SAE 1010R )	HOT ROLLED ( SAE 1010R )	HOT ROLLED ( SAE 1010R )	HOT ROLLED ( SAE 1010R )
2	NAME PLATE	ALUMINIUM ( A1100 )	ALUMINIUM ( A1100 )	ALUMINIUM ( A1100 )	ALUMINIUM ( A1100 )
3	HANDWHEEL	PHENOLIC	PHENOLIC	PHENOLIC	PHENOLIC
4	PACKING NUT	BRASS ( C37700 )	BRASS ( C37700 )	BRASS ( C37700 )	BRASS ( C37700 )
5	GLAND PACKING	TEFLON POLYFLON ( PTFE M-392 )	TEFLON POLYFLON ( PTFE M-392 )	TEFLON POLYFLON ( PTFE M-392 )	TEFLON POLYFLON ( PTFE M-392 )
6	BONNET	BRASS ( C85700 )	BRONZE ( C84400 ) BRONZE ( C83600 )	BRASS ( C46400 MOD )	BRONZE ( C89844 MOD )
7	STEM	BRASS ( C37700 )	BRASS ( C37700 )	BRASS ( C46400 )	BRASS ( C46400 )
8	SEAT HOLDER	BRASS ( C37700 ) BRASS ( C85700 )	BRASS ( C37700 ) BRONZE ( C84400 ) BRONZE ( C83600 )	BRASS ( C46400 ) BRASS ( C46400 MOD )	BRASS ( C46400 ) BRONZE ( C89844 MOD )
9	SEAT PACKING	RUBBER (NBR) SN-819F TEFLON POLYFLON ( PTFE M-392 )	RUBBER (NBR) SN-819F TEFLON POLYFLON ( PTFE M-392 )	RUBBER (NBR) SN-819F TEFLON POLYFLON ( PTFE M-392 )	RUBBER (NBR) SN-819F TEFLON POLYFLON ( PTFE M-392 )
10	WASHER	STAINLESS STEEL ( 304 )	STAINLESS STEEL ( 304 )	STAINLESS STEEL ( 304 )	STAINLESS STEEL ( 304 )
11	SEAT NUT	BRASS ( C26000 )	BRASS ( C26000 )	BRASS ( C26000 )	BRASS ( C26000 )
12	BODY	BRASS ( C85700 )	BRONZE ( C84400 ) BRONZE ( C83600 )	BRASS ( C46400 MOD )	BRONZE ( C89844 MOD )
13	NIPPLE	BRASS ( C37700 )	BRONZE ( C84400 ) BRONZE ( C83600 )	BRASS ( C46400 MOD )	BRONZE ( C89844 MOD )
14	NIPPLE NUT	BRASS ( C37700 )	BRONZE ( C84400 ) BRONZE ( C83600 )	BRASS ( C37700 )	BRONZE ( C84400 ) BRONZE ( C83600 )
CERTIFIED UNDER				AB 1953	AB 1953

ITEM NO.	SIZE	DIMENSION (mm)				PART NO.	QUANTITY	
		L	H	H1	D		IB	OB
RV/RVT 4242 / RV/RVT 4242 NL	1/2" FIP X 1/2" MIP	56.5	70	24	58.5	1,2,3,4,5,6,7,8,9,11,12,13,14	10	60
RV/RVT 4243 / RV/RVT 4243 NL	3/4" FIP X 3/4" MIP	64.5	70	28	58.5	1,2,3,4,5,6,7,8,9,11,12,13,14	6	48
RV/RVT 4244 / RV/RVT 4244 NL	1" FIP X 1" MIP	72	77.5	32	58.5	1,2,3,4,5,6,7,8,9,11,12,13,14	4	36
RV/RVT 4245 / RV/RVT 4245 NL	1 1/4" FIP X 1 1/4" MIP	81	84.5	36	58.5	ALL	2	24
RV/RVT 4246 / RV/RVT 4246 NL	1 1/2" FIP X 1 1/2" MIP	91	88	42.5	58.5	ALL	2	16
RV/RVT 4247 / RV/RVT 4247 NL	2" FIP X 2" MIP	115	102	54	58.5	ALL	2	12

Note : RV ( Steam Radiator Angle Valve with Rubber Seat )  
RVT ( Steam Radiator Angle Valve with Teflon Seat )

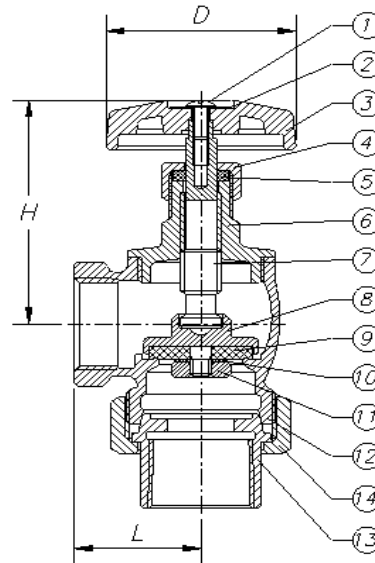
## 6.2. CONVECTOR ANGLE VALVES

### FEATURE

BRASS & BRONZE MATERIAL

FIP X FIP

LOW LEAD  
AB 1953



### MATERIAL SPECIFICATION

NO	PARTS	BRASS REGULAR	BRONZE REGULAR	BRASS NO LEAD	BRONZE NO LEAD
1	HANDLE BOLT	HOT ROLLED ( SAE 1010R )	HOT ROLLED ( SAE 1010R )	HOT ROLLED ( SAE 1010R )	HOT ROLLED ( SAE 1010R )
2	NAME PLATE	ALUMINIUM ( A1100 )	ALUMINIUM ( A1100 )	ALUMINIUM ( A1100 )	ALUMINIUM ( A1100 )
3	HANDWHEEL	PHENOLIC	PHENOLIC	PHENOLIC	PHENOLIC
4	PACKING NUT	BRASS ( C37700 )	BRASS ( C37700 )	BRASS ( C37700 )	BRASS ( C37700 )
5	GLAND PACKING	TEFLON POLYFLON ( PTFE M-392 )	TEFLON POLYFLON ( PTFE M-392 )	TEFLON POLYFLON ( PTFE M-392 )	TEFLON POLYFLON ( PTFE M-392 )
6	BONNET	BRASS ( C85700 )	BRONZE ( C84400 ) BRONZE ( C83600 )	BRASS ( C46400 MOD )	BRONZE ( C89844 MOD )
7	STEM	BRASS ( C37700 )	BRASS ( C37700 )	BRASS ( C46400 )	BRASS ( C46400 )
8	SEAT HOLDER	BRASS ( C85700 )	BRONZE ( C84400 ) BRONZE ( C83600 )	BRASS ( C46400 MOD )	BRONZE ( C89844 MOD )
9	SEAT PACKING	RUBBER (NBR) SN-819F	RUBBER (NBR) SN-819F	RUBBER (NBR) SN-819F	RUBBER (NBR) SN-819F
10	WASHER	STAINLESS STEEL ( 304 )	STAINLESS STEEL ( 304 )	STAINLESS STEEL ( 304 )	STAINLESS STEEL ( 304 )
11	SEAT NUT	BRASS ( C26000 )	BRASS ( C26000 )	BRASS ( C26000 )	BRASS ( C26000 )
12	BODY	BRASS ( C85700 )	BRONZE ( C84400 ) BRONZE ( C83600 )	BRASS ( C46400 MOD )	BRONZE ( C89844 MOD )
13	NIPPLE	BRASS ( C85700 )	BRONZE ( C84400 ) BRONZE ( C83600 )	BRASS ( C46400 MOD )	BRONZE ( C89844 MOD )
14	NIPPLE NUT	BRASS ( C85700 )	BRONZE ( C84400 ) BRONZE ( C83600 )	BRASS ( C85700 )	BRONZE ( C84400 ) BRONZE ( C83600 )

CERTIFIED UNDER			AB 1953	AB 1953
-----------------	--	--	---------	---------

ITEM NO.	SIZE	DIMENSION (mm)			PART NO.	QUANTITY	
		L	H	D		IB	OB
RV 4254 / RV 4254 NL	1" FIP X 1" FIP	41.5	73	58.5	ALL	4	48
RV 4255 / RV 4255 NL	1 1/4" FIP X 1 1/4" FIP	45	88	58.5	ALL	2	24

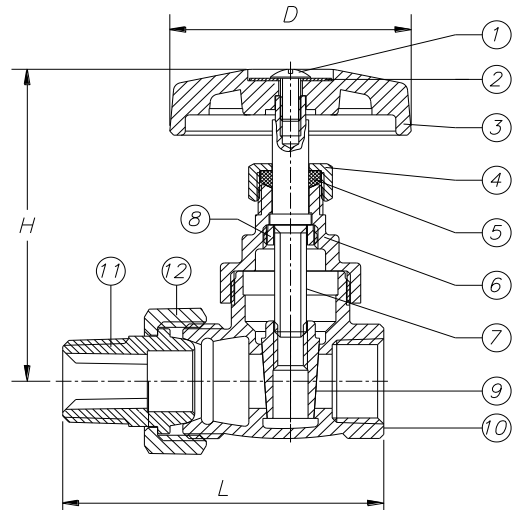
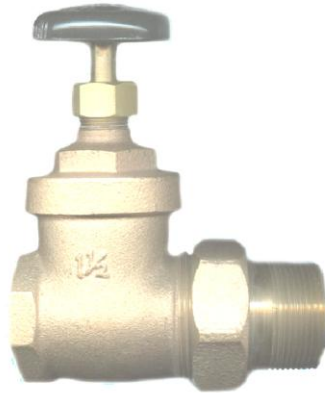
## 6.3. RADIATOR GATE VALVES

### FEATURE

BRASS & BRONZE MATERIAL

FIP X MIP

LOW LEAD  
AB 1953 ✓



### MATERIAL SPECIFICATION

NO	PARTS	BRASS REGULAR	BRONZE REGULAR	BRASS NO LEAD	BRONZE NO LEAD
1	HANDLE BOLT	HOT ROLLED ( SAE 1010R )	HOT ROLLED ( SAE 1010R )	HOT ROLLED ( SAE 1010R )	HOT ROLLED ( SAE 1010R )
2	NAME PLATE	ALUMINIUM ( A1100 )	ALUMINIUM ( A1100 )	ALUMINIUM ( A1100 )	ALUMINIUM ( A1100 )
3	HANDWHEEL	PHENOLIC	PHENOLIC	PHENOLIC	PHENOLIC
4	PACKING NUT	BRASS ( C37700 )	BRASS ( C37700 )	BRASS ( C37700 )	BRASS ( C37700 )
5	GLAND PACKING	TEFLON POLYFLON ( PTFE M-392 )	TEFLON POLYFLON ( PTFE M-392 )	TEFLON POLYFLON ( PTFE M-392 )	TEFLON POLYFLON ( PTFE M-392 )
6	BONNET	BRASS ( C85700 )	BRONZE ( C84400 ) BRONZE ( C83600 )	BRASS ( C46400 MOD )	BRONZE ( C89844 MOD )
7	STEM	BRASS ( C37700 )	BRASS ( C37700 )	BRASS ( C46400 )	BRASS ( C46400 )
8	LOCK NUT	BRASS ( C37700 )	BRASS ( C37700 )	BRASS ( C46400 )	BRASS ( C46400 )
9	DISC	BRASS ( C85700 )	BRONZE ( C84400 ) BRONZE ( C83600 )	BRASS ( C46400 MOD )	BRONZE ( C89844 MOD )
10	BODY	BRASS ( C85700 )	BRONZE ( C84400 ) BRONZE ( C83600 )	BRASS ( C46400 MOD )	BRONZE ( C89844 MOD )
11	NIPPLE	BRASS ( C37700 )	BRONZE ( C84400 ) BRONZE ( C83600 )	BRASS ( C46400 MOD )	BRONZE ( C89844 MOD )
12	NIPPLE NUT	BRASS ( C37700 )	BRONZE ( C84400 ) BRONZE ( C83600 )	BRASS ( C37700 )	BRONZE ( C84400 ) BRONZE ( C83600 )
CERTIFIED UNDER				AB 1953	AB 1953

ITEM NO.	SIZE	DIMENSION (mm)			PART NO.	QUANTITY	
		L	H	D		IB	OB
RV 4262 / RV 4262 NL	1/2" FIP X 1/2" MIP	76.5	76	58.5	ALL	10	60
RV 4263 / RV 4263 NL	3/4" FIP X 3/4" MIP	89.5	91	58.5	ALL	6	48
RV 4264 / RV 4264 NL	1" FIP X 1" MIP	101	102.5	58.5	ALL	4	36
RV 4265 / RV 4265 NL	1 1/4" FIP X 1 1/4" MIP	113	121	58.5	ALL	2	24
RV 4266 / RV 4266 NL	1 1/2" FIP X 1 1/2" MIP	123	139.5	58.5	ALL	2	16
RV 4267 / RV 4267 NL	2" FIP X 2" MIP	134	158	58.5	ALL		

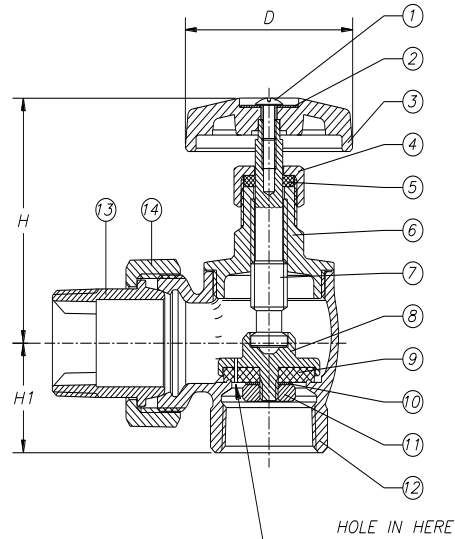
## 6.4. HOT WATER RADIATOR ANGLE GLOBE VALVES WITH SOFT SEAT

### FEATURE

BRASS & BRONZE MATERIAL

FIP X MIP

LOW LEAD  
AB 1953



### MATERIAL SPECIFICATION

NO	PARTS	BRASS REGULAR	BRONZE REGULAR	BRASS NO LEAD	BRONZE NO LEAD
1	HANDLE BOLT	HOT ROLLED ( SAE 1010R )	HOT ROLLED ( SAE 1010R )	HOT ROLLED ( SAE 1010R )	HOT ROLLED ( SAE 1010R )
2	NAME PLATE	ALUMINIUM ( A1100 )	ALUMINIUM ( A1100 )	ALUMINIUM ( A1100 )	ALUMINIUM ( A1100 )
3	HANDWHEEL	PHENOLIC	PHENOLIC	PHENOLIC	PHENOLIC
4	PACKING NUT	BRASS ( C37700 )	BRASS ( C37700 )	BRASS ( C37700 )	BRASS ( C37700 )
5	GLAND PACKING	TEFLON POLYFLON ( PTFE M-392 )	TEFLON POLYFLON ( PTFE M-392 )	TEFLON POLYFLON ( PTFE M-392 )	TEFLON POLYFLON ( PTFE M-392 )
6	BONNET	BRASS ( C85700 )	BRONZE ( C84400 ) BRONZE ( C83600 )	BRASS ( C46400 MOD )	BRASS ( C89844 MOD )
7	STEM	BRASS ( C37700 )	BRASS ( C37700 )	BRASS ( C46400 )	BRASS ( C46400 )
8	SEAT HOLDER	BRASS ( C37700 )	BRASS ( C37700 )	BRASS ( C46400 )	BRASS ( C46400 )
		BRASS ( C85700 )	BRONZE ( C84400 ) BRONZE ( C83600 )	BRASS ( C46400 MOD )	BRASS ( C89844 MOD )
9	SEAT PACKING	RUBBER (NBR) SN-819F	RUBBER (NBR) SN-819F	RUBBER (NBR) SN-819F	RUBBER (NBR) SN-819F
10	WASHER	STAINLESS STEEL ( 304 )	STAINLESS STEEL ( 304 )	STAINLESS STEEL ( 304 )	STAINLESS STEEL ( 304 )
11	SEAT NUT	BRASS ( C26000 )	BRASS ( C26000 )	BRASS ( C26000 )	BRASS ( C26000 )
12	BODY	BRASS ( C85700 )	BRONZE ( C84400 ) BRONZE ( C83600 )	BRASS ( C46400 MOD )	BRASS ( C89844 MOD )
		BRASS ( C37700 )	BRONZE ( C84400 ) BRONZE ( C83600 )	BRASS ( C46400 MOD )	BRASS ( C89844 MOD )
13	NIPPLE	BRASS ( C37700 )	BRONZE ( C84400 ) BRONZE ( C83600 )	BRASS ( C46400 MOD )	BRASS ( C89844 MOD )
14	NIPPLE NUT	BRASS ( C37700 )	BRONZE ( C84400 ) BRONZE ( C83600 )	BRASS ( C37700 )	BRONZE ( C84400 ) BRONZE ( C83600 )
CERTIFIED UNDER				AB 1953	AB 1953

ITEM NO.	SIZE	DIMENSION (mm)				PART NO.	QUANTITY	
		D	H	H1	L		IB	OB
RV 4272 H / RV 4272 H NL	1/2" FIP X 1/2" MIP	58.5	70	24	56.5	1, 2, 3, 4, 5, 6, 7, 8, 9, 11, 12, 13, 14	10	60
RV 4273 H / RV 4273 H NL	3/4" FIP X 3/4" MIP	58.5	70	28	64.5	1, 2, 3, 4, 5, 6, 7, 8, 9, 11, 12, 13, 14	6	48
RV 4274 H / RV 4274 H NL	1" FIP X 3/4" MIP	58.5	77.5	32	72	1, 2, 3, 4, 5, 6, 7, 8, 9, 11, 12, 13, 14	4	36
RV 4275 H / RV 4275 H NL	1 1/4" FIP X 3/4" MIP	58.5	84.5	36	81	1, 2, 3, 4, 5, 6, 7, 8, 9, 10, 11, 12, 13, 14	2	24
RV 4276 H / RV 4276 H NL	1 1/2" FIP X 1 1/2" MIP	58.5	88	42.5	92	1, 2, 3, 4, 5, 6, 7, 8, 9, 10, 11, 12, 13, 14	2	16
RV 4277 H / RV 4277 H NL	2" FIP X 2" MIP	58.5	102	54	103	1, 2, 3, 4, 5, 6, 7, 8, 9, 10, 11, 12, 13, 14		

## 6.5. HOT WATER RADIATOR ANGLE VALVES WITH HARD SEAT



RV 4272-5

### FEATURE

BRASS & BRONZE MATERIAL

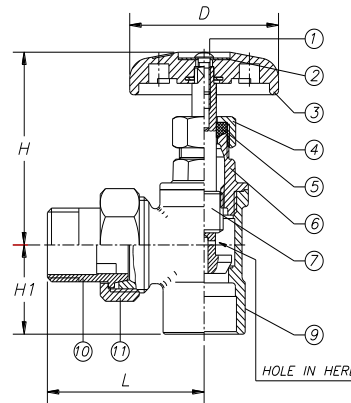
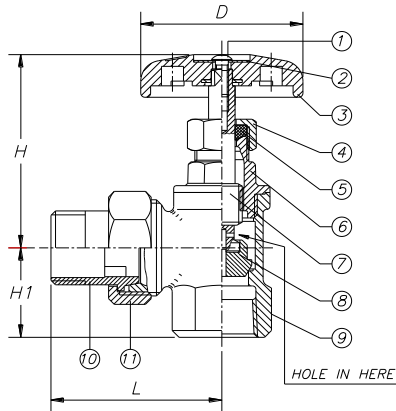
FIP X MIP

FCXC X MIP

LOW LEAD  
AB 1953



RV 4282-3



### MATERIAL SPECIFICATION

NO	PARTS	BRASS REGULAR	BRONZE REGULAR	BRASS NO LEAD	BRONZE NO LEAD
1	HANDLE BOLT	HOT ROLLED ( SAE 1010R )	HOT ROLLED ( SAE 1010R )	HOT ROLLED ( SAE 1010R )	HOT ROLLED ( SAE 1010R )
2	NAME PLATE	ALUMINIUM ( A1100 )	ALUMINIUM ( A1100 )	ALUMINIUM ( A1100 )	ALUMINIUM ( A1100 )
3	HANDWHEEL	PHENOLIC	PHENOLIC	PHENOLIC	PHENOLIC
4	PACKING NUT	BRASS ( C37700 )	BRASS ( C37700 )	BRASS ( C37700 )	BRASS ( C37700 )
5	GLAND PACKING	TEFLON POLYFLON ( PTFE M-392 )	TEFLON POLYFLON ( PTFE M-392 )	TEFLON POLYFLON ( PTFE M-392 )	TEFLON POLYFLON ( PTFE M-392 )
6	BONNET	BRASS ( C85700 )	BRONZE ( C84400 ) BRONZE ( C83600 )	BRASS ( C46400 MOD )	BRONZE ( C89844 MOD )
7	STEM	BRASS ( C37700 )	BRASS ( C37700 )	BRASS ( C46400 )	BRASS ( C46400 )
		BRASS ( C85700 )	BRONZE ( C84400 ) BRONZE ( C83600 )	BRASS ( C46400 MOD )	BRONZE ( C89844 MOD )
8	DISC	BRASS ( C85700 )	BRONZE ( C84400 ) BRONZE ( C83600 )	BRASS ( C46400 MOD )	BRONZE ( C89844 MOD )
9	BODY	BRASS ( C85700 )	BRONZE ( C84400 ) BRONZE ( C83600 )	BRASS ( C46400 MOD )	BRONZE ( C89844 MOD )
10	NIPPLE	BRASS ( C37700 )	BRONZE ( C84400 ) BRONZE ( C83600 )	BRASS ( C46400 MOD )	BRONZE ( C89844 MOD )
11	NIPPLE NUT	BRASS ( C37700 )	BRONZE ( C84400 ) BRONZE ( C83600 )	BRASS ( C37700 )	BRONZE ( C84400 ) BRONZE ( C83600 )
CERTIFIED UNDER				AB 1953	AB 1953

1" - 1 1/2"  
1/2" - 3/4"

ITEM NO.	SIZE	DIMENSION (mm)				PART NO.	QUANTITY	
		L	H	H1	D		IB	OB

#### FIP X MIP

RV 4272 / RV 4272 NL	1/2" FIP X 1/2" MIP	55	62.5	22.5	58.5	1, 2, 3, 4, 5, 6, 7, 9, 10, 11	10	60
RV 4273 / RV 4273 NL	3/4" FIP X 3/4" MIP	59	61	30.5	58.5	1, 2, 3, 4, 5, 6, 7, 9, 10, 11	6	48
RV 4274 / RV 4274 NL	1" FIP X 1" MIP	71	70	32.5	58.5	ALL	4	36
RV 4275 / RV 4275 NL	1 1/4" FIP X 1 1/4" MIP	85	76	38.5	58.5	ALL	2	24
RV 4276 / RV 4276 NL	1 1/2" FIP X 1 1/2" MIP	97	81.5	43.5	58.5	ALL		

#### FCXC X MIP

RV 4282 / RV 4282 NL	1/2" FCXC X 1/2" MIP	54	62.5	24	58.5	1, 2, 3, 4, 6, 7, 9, 10, 11	10	60
RV 4283 / RV 4283 NL	3/4" FCXC X 3/4" MIP	61	62	28.5	58.5	1, 2, 3, 4, 6, 7, 9, 10, 11	6	48
RV 4284 / RV 4284 NL	1" FCXC X 1" MIP	70	64.5	37	58.5	1, 2, 3, 4, 6, 7, 9, 10, 11		

## 6.6. UNION ELBOW RADIATOR VALVES



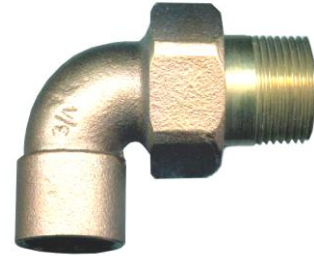
**FIP X MIP**

### FEATURE

BRASS & BRONZE MATERIAL

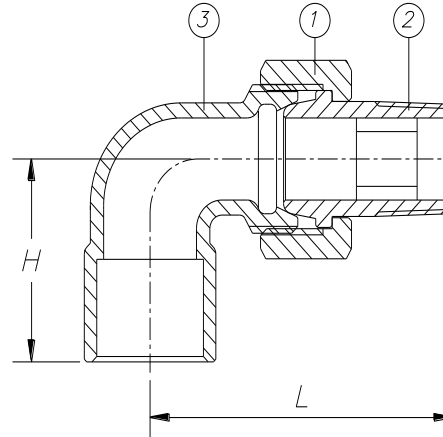
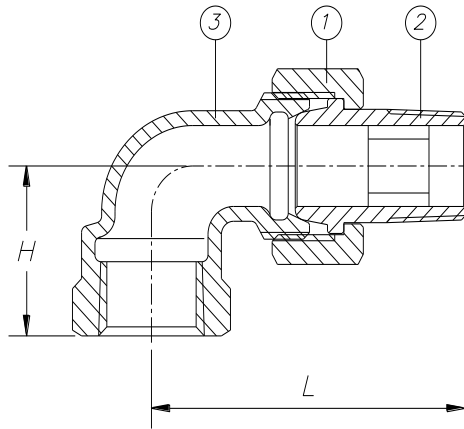
FIP X MIP

FCXC X MIP



**FCXC X MIP**

LOW LEAD  
AB 1953



### MATERIAL SPECIFICATION

NO	PARTS	BRASS REGULAR	BRONZE REGULAR	BRASS NO LEAD	BRONZE NO LEAD
1	NIPPLE NUT	BRASS ( C37700 )	BRONZE ( C84400 )	BRASS ( C37700 )	BRONZE ( C84400 )
			BRONZE ( C83600 )		BRONZE ( C83600 )
2	NIPPLE	BRASS ( C37700 )	BRONZE ( C84400 )	BRASS ( C46400 MOD )	BRONZE ( C89844 MOD )
			BRONZE ( C83600 )		BRONZE ( C89844 MOD )
3	BODY	BRASS ( C85700 )	BRONZE ( C84400 )	BRASS ( C46400 MOD )	BRONZE ( C89844 MOD )
			BRONZE ( C83600 )		BRONZE ( C89844 MOD )
CERTIFIED UNDER				AB 1953	AB 1953

ITEM NO.	SIZE	DIMENSION (mm)		PART NO.	QUANTITY	
		L	H		IB	OB

**FIP X MIP**

RV 4291 / RV 4291 NL	3/8" FIP X 3/8" MIP	51	25.5	ALL	-	-
RV 4292 / RV 4292 NL	1/2" FIP X 1/2" MIP	57.5	28	ALL	10	150
RV 4293 / RV 4293 NL	3/4" FIP X 3/4" MIP	65.5	31.5	ALL	10	100
RV 4294 / RV 4294 NL	1" FIP X 1" MIP	74	35.5	ALL	7	70
RV 4295 / RV 4295 NL	1 1/4" FIP X 1 1/4" MIP	85	45.5	ALL	5	50

**FCXC X MIP**

RV 4302 / RV 4302 NL	1/2" FCXC X 1/2" MIP	53.5	31.3	ALL	10	150
RV 4303 / RV 4303 NL	3/4" FCXC X 3/4" MIP	62	38.3	ALL	10	100

## 6.7. STRAIGHT RADIATOR COUPLING UNION



### FEATURE

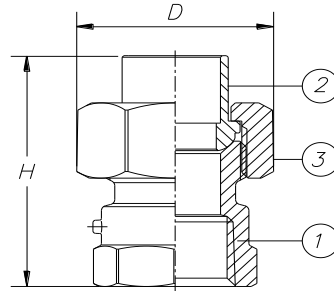
BRASS & BRONZE MATERIAL

FIP X FCXC

MIP X FCXC

FCXC X FCXC

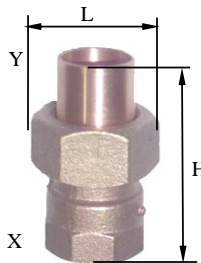
LOW LEAD  
AB 1953



### MATERIAL SPECIFICATION

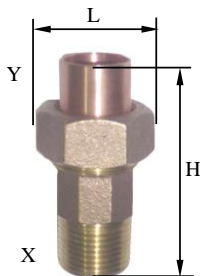
NO	PARTS	BRASS REGULAR	BRONZE REGULAR	BRASS NO LEAD	BRONZE NO LEAD
1	BODY	BRASS ( C85700 )	BRONZE ( C84400 ) BRONZE ( C83600 )	BRASS ( C46400 MOD )	BRONZE ( C89844 MOD )
2	NIPPLE	BRASS ( C37700 ) COPPER ( C12200 )	BRASS ( C37700 ) COPPER ( C12200 )	BRASS ( C46400 ) COPPER ( C12200 )	BRASS ( C46400 ) COPPER ( C12200 )
3	NUT	BRASS ( C85700 )	BRONZE ( C84400 ) BRONZE ( C83600 )	BRASS ( C85700 )	BRONZE ( C84400 ) BRONZE ( C83600 )
CERTIFIED UNDER				AB 1953	AB 1953

### FIP X FCXC ( COUPLING UNION )



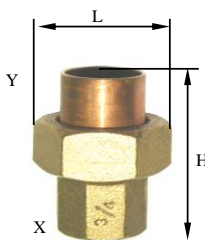
ITEM NO.	SIZE		DIMENSION (mm)		PART NO	QUANTITY	
	X	Y	D	H		IB	OB
RV 4222 / RV 4222 NL	1/2" FIP	1/2" FCXC	34.3	44.5	ALL	10	100
RV 4223 / RV 4223 NL	3/4" FIP	3/4" FCXC	41.6	52.9	ALL	10	100
RV 4224 / RV 4224 NL	1" FIP	1" FCXC	49.8	63.6	ALL	5	50
RV 4225 / RV 4225 NL	1 1/4" FIP	1 1/4" FCXC	56	71.3	ALL	2	30
RV 4226 / RV 4226 NL	1 1/2" FIP	1 1/2" FCXC	64.6	81.8	ALL		
RV 4227 / RV 4227 NL	2" FIP	2" FCXC	81.6	86.4	ALL		

### MIP X FCXC ( COUPLING UNION )



ITEM NO.	SIZE		DIMENSION (mm)		PART NO	QUANTITY	
	X	Y	D	H		IB	OB
RV 4232 / RV 4232 NL	1/2" MIP	1/2" FCXC	34.3	54.5	ALL	10	100
RV 4233 / RV 4233 NL	3/4" MIP	3/4" FCXC	41.6	67.9	ALL	10	100
RV 4234 / RV 4234 NL	1" MIP	1" FCXC	49.8	78.1	ALL	5	50
RV 4235 / RV 4235 NL	1 1/4" MIP	1 1/4" FCXC	56	88.3	ALL	2	30
RV 4236 / RV 4236 NL	1 1/2" MIP	1 1/2" FCXC	64.6	100.8	ALL		
RV 4237 / RV 4237 NL	2" MIP	2" FCXC	81.6	105.5	ALL		

### FCXC X FCXC ( COUPLING UNION )



ITEM NO.	SIZE		DIMENSION (mm)		PART NO	QUANTITY	
	X	Y	D	H		IB	OB
RV 4212 / RV 4212 NL	1/2" FCXC	1/2" FCXC	34.3	39.8	ALL	25	250
RV 4213 / RV 4213 NL	3/4" FCXC	3/4" FCXC	41.6	51.4	ALL	25	200
RV 4214 / RV 4214 NL	1" FCXC	1" FCXC	49.8	60.6	ALL	10	90
RV 4215 / RV 4215 NL	1 1/4" FCXC	1 1/4" FCXC	56	65.8	ALL	5	45
RV 4216 / RV 4216 NL	1 1/2" FCXC	1 1/2" FCXC	64.6	75.8	ALL	5	45
RV 4217 / RV 4217 NL	2" FCXC	2" FCXC	81.6	84.2	ALL	1	33
RV 4218 / RV 4218 NL	2 1/2" FCXC	2 1/2" FCXC	101	97.5	ALL	1	15
RV 4219 / RV 4219 NL	3" FCXC	3" FCXC	113	109.3	ALL	1	12