

7. ANGLE METER VALVES

7.1. METER & WASTE VALVES

FEATURE

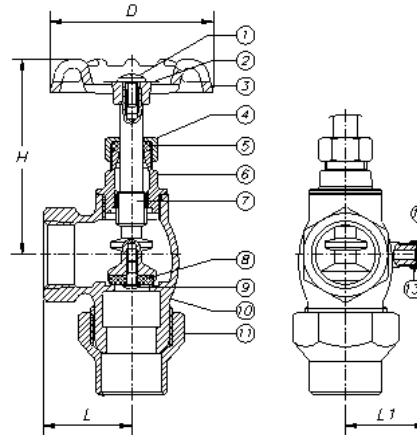
BRONZE MATERIAL

FLARE X FIP

FLARE X FIP & WASTE



LOW LEAD
AB 1953 ✓



MATERIAL SPECIFICATION

NO	PARTS	BRONZE REGULAR	BRONZE NO LEAD
1	HANDLE BOLT	HOT ROLLED (SAE 1010R)	HOT ROLLED (SAE 1010R)
2	NAME PLATE	ALUMINIUM (A1100)	ALUMINIUM (A1100)
3	HANDWHEEL	CAST IRON (JIS ZZ2202)	CAST IRON (JIS ZZ2202)
4	PACKING NUT	BRASS (C37700)	BRASS (C37700)
5	GLAND PACKING	TEFLON POLYFLON (PTFE M-392)	TEFLON POLYFLON (PTFE M-392)
6	BONNET	BRONZE (C84400) BRONZE (C83600)	BRONZE (C89844 MOD)
7	STEM	BRONZE (C84400) BRONZE (C83600)	BRONZE (C89844 MOD)
8	SEAT PACKING	RUBBER (NBR) SN-819F	RUBBER (NBR) SN-819F
9	SEAT SCREW	BRASS (C26000)	BRASS (C26000)
10	BODY	BRONZE (C84400) BRONZE (C83600)	BRONZE (C89844 MOD)
11	FLARE NUT	BRONZE (C84400) BRONZE (C83600)	BRONZE (C84400) BRONZE (C83600)
12	PACKING	RUBBER (NBR) SN-719F	RUBBER (NBR) SN-719F
13	DRAIN CAP	BRASS (C37700)	BRASS (C37700)
CERTIFIED UNDER			AB 1953

ITEM NO.	SIZE	DIMENSION (mm)				PART NO.	QUANTITY	
		D	H	L	L1		IB	OB

FLARE X FIP

RV 44132 / RV 44132 NL	3/4" X 1/2"	34	134	63		1, 2, 3, 4, 5, 6, 7, 8, 9, 10, 11	6	60
RV 44133 / RV 44133 NL	3/4" X 3/4"	34	134	63		1, 2, 3, 4, 5, 6, 7, 8, 9, 10, 11	6	60
RV 44143 / RV 44143 NL	1" X 3/4"	34	153	63		1, 2, 3, 4, 5, 6, 7, 8, 9, 10, 11	6	60
RV 44144 / RV 4414 NL	1" X 1"	40	162	63		1, 2, 3, 4, 5, 6, 7, 8, 9, 10, 11	5	40

FLARE X FIP & WASTE

RV 44232 / RV 44232 NL	3/4" X 1/2"	34	134	63	33	ALL	6	60
RV 44233 / RV 44233 NL	3/4" X 3/4"	34	134	63	33	ALL	6	60
RV 44243 / RV 44243 NL	1" X 3/4"	34	153	63	33	ALL	6	60
RV 44244 / RV 44244 NL	1" X 1"	40	162	63	38	ALL	5	40