

## 9. STOP & WASTE VALVES WITH "O" RING SEALING TYPE

### 9.1. STOP & WASTE VALVES WITH O-RING



FIP

#### FEATURE

BRASS MATERIAL

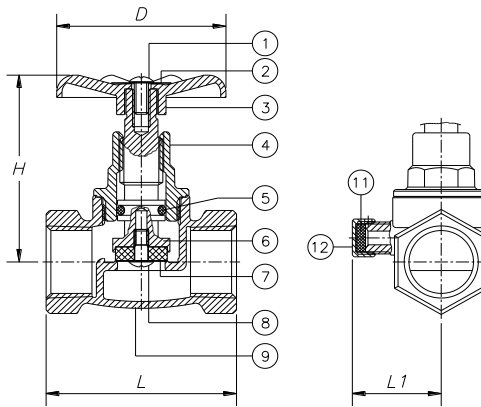
FIP

FIP & WASTE

LOW LEAD  
AB 1953 ✓



FIP & WASTE



#### MATERIAL SPECIFICATION

NO	PARTS	BRASS REGULAR	BRASS NO LEAD	MVO MVON
		1	HANDLE BOLT WHEEL NUT	
2	NAME PLATE	ALUMINIUM ( A1100 )	ALUMINIUM ( A1100 )	
3	HANDWHEEL	ZINC ( Z30A )	ZINC ( Z30A )	
4	BONNET	BRASS ( C85700 )	BRASS ( C46400 MOD )	
5	O - RING	RUBBER (NBR) SN-719F	RUBBER (NBR) SN-719F	
6	STEM	BRASS ( C37700 )	BRASS ( C46400 MOD )	
7	SEAT PACKING	RUBBER (NBR) SN-819F	RUBBER (NBR) SN-819F	
8	SEAT SCREW	BRASS ( C26000 )	BRASS ( C26000 )	
9	BODY	BRASS ( C85700 )	BRASS ( C46400 MOD )	
10	PACKING	RUBBER (NBR) SN-719F	RUBBER (NBR) SN-719F	
11	DRAIN CAP	BRASS ( C37700 )	BRASS ( C37700 )	
CERTIFIED UNDER		C CSA US	AB 1953	

ITEM NO.	SIZE	DIMENSION (mm)				PART NO.	QUANTITY	
		L	L1	H	D		IB	OB

**FIP**

MVO / MVON 1 / NL	1/2" FIP	55	-	64	47.5	1, 2, 3, 4, 5, 6, 7, 8, 9	10	100
MVO / MVON 2 / NL	3/4" FIP	56	-	64	47.5	1, 2, 3, 4, 5, 6, 7, 8, 9	10	100

**FIP & WASTE**

MVO / MVON 3 / NL	1/2" FIP & WASTE	55	24	64	47.5	ALL	10	100
MVO / MVON 4 / NL	3/4" FIP & WASTE	56	24	64	47.5	ALL	10	100

## 9.2. STOP & WASTE VALVES WITH O-RING



FCXC

### FEATURE

BRASS MATERIAL

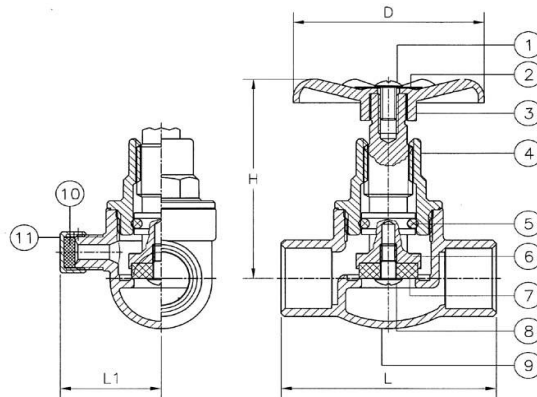
FCXC

FCXC & WASTE



FCXC & WASTE

LOW LEAD  
AB 1953 ✓



### MATERIAL SPECIFICATION

NO	PARTS	BRASS REGULAR	BRASS NO LEAD	
1	HANDLE BOLT WHEEL NUT	HOT ROLLED ( SAE 1010R )	HOT ROLLED ( SAE 1010R )	MVO MVON
2	NAME PLATE	ALUMINIUM ( A1100 )	ALUMINIUM ( A1100 )	
3	HANDWHEEL	ZINC ( Z30A )	ZINC ( Z30A )	
4	BONNET	BRASS ( C85700 )	BRASS ( C46400 MOD )	
5	O - RING	RUBBER (NBR) SN-719F	RUBBER (NBR) SN-719F	
6	STEM	BRASS ( C37700 )	BRASS ( C46400 )	
7	SEAT PACKING	RUBBER (NBR) SN-819F	RUBBER (NBR) SN-819F	
8	SEAT SCREW	BRASS ( C26000 )	BRASS ( C26000 )	
9	BODY	BRASS ( C85700 )	BRASS ( C46400 MOD )	
10	PACKING	RUBBER (NBR) SN-719F	RUBBER (NBR) SN-719F	
11	DRAIN CAP	BRASS ( C37700 )	BRASS ( C37700 )	
CERTIFIED UNDER		C CSA US	AB 1953	

ITEM NO.	SIZE	DIMENSION (mm)				PART NO.	QUANTITY	
		L	L1	H	D		IB	OB

**FCXC**

MVO/MVON 5 / NL	1/2" FCXC	54	-	64	47.5	1, 2, 3, 4, 5, 6, 7, 8, 9	10	100
MVO/MVON 6 / NL	3/4" FCXC	68	-	64	47.5	1, 2, 3, 4, 5, 6, 7, 8, 9	10	100

**FCXC & WASTE**

MVO/MVON 7 / NL	1/2" FCXC & WASTE	54	24	64	47.5	ALL	10	100
MVO/MVON 8 / NL	3/4" FCXC & WASTE	68	24	64	47.5	ALL	10	100



PT. EVER AGE VALVES METALS  
GRESIK - INDONESIA

PHONE : 62-31-8976388  
62-31-8978388  
62-31-8972988

FAX : 62-31-8977288 / 62-31-8982899  
E-MAIL : everagevalvesmetals@gmail.com  
Website : www.everagevalves.com

### 9.3. STOP ANGLE VALVES WITH O-RING



FCXC

#### FEATURE

BRASS MATERIAL

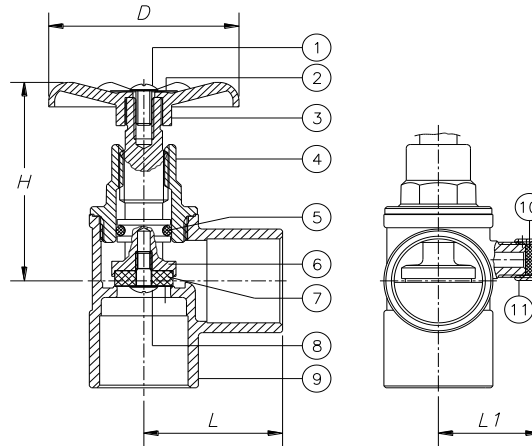
FCXC

FCXC & WASTE

LOW LEAD  
AB 1953 ✓



FCXC & WASTE



#### MATERIAL SPECIFICATION

NO	PARTS	BRASS REGULAR	BRASS NO LEAD	
1	HANDLE BOLT WHEEL NUT	HOT ROLLED ( SAE 1010R )	HOT ROLLED ( SAE 1010R )	MVO MVON
2	NAME PLATE	ALUMINIUM ( A1100 )	ALUMINIUM ( A1100 )	
3	HANDWHEEL	ZINC ( Z30A )	ZINC ( Z30A )	
4	BONNET	BRASS ( C85700 )	BRASS ( C46400 MOD )	
5	O - RING	RUBBER (NBR) SN-719F	RUBBER (NBR) SN-719F	
6	STEM	BRASS ( C37700 )	BRASS ( C46400 )	
7	SEAT PACKING	RUBBER (NBR) SN-819F	RUBBER (NBR) SN-819F	
8	SEAT SCREW	BRASS ( C26000 )	BRASS ( C26000 )	
9	BODY	BRASS ( C85700 )	BRASS ( C46400 MOD )	
10	PACKING	RUBBER (NBR) SN-719F	RUBBER (NBR) SN-719F	
11	DRAIN CAP	BRASS ( C37700 )	BRASS ( C37700 )	
CERTIFIED UNDER		C CSA US	AB 1953	

ITEM NO.	SIZE	DIMENSION (mm)				PART NO.	QUANTITY	
		L	L1	H	D		IB	OB

**FCXC**

MVO / MVON 15 / NL	1/2" FCXC	24.5	-	53	47.5	1, 2, 3, 4, 5, 6, 7, 8, 9		
MVO / MVON 16 / NL	3/4" FCXC	35	-	53	47.5	1, 2, 3, 4, 5, 6, 7, 8, 9		

**FCXC & WASTE**

MVO / MVON 17 / NL	1/2" FCXC & WASTE	24.5	25.5	53	47.5	ALL		
MVO / MVON 18 / NL	3/4" FCXC & WASTE	35	25.5	53	47.5	ALL		

## 9.4. STOP & WASTE VALVES WITH "O" RING

### FEATURE

LOW LEAD  
AB 1953 ✓

BRASS MATERIAL

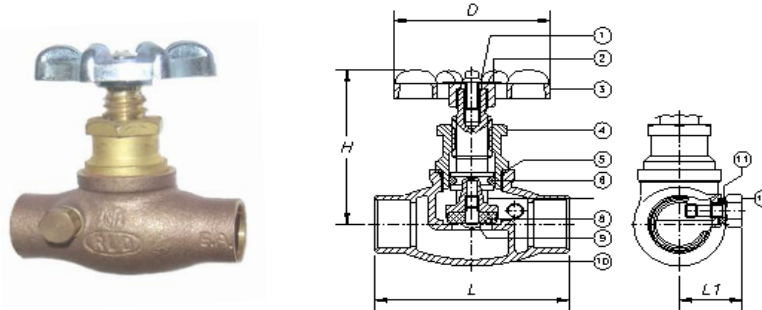


### MATERIAL SPECIFICATION

NO	PARTS	BRASS REGULAR	BRASS NO LEAD
1	HANDLE BOLT	HOT ROLLED ( SAE 1010R )	HOT ROLLED ( SAE 1010R )
2	NAME PLATE	ALUMINIUM ( A1100 )	ALUMINIUM ( A1100 )
3	HANDWHEEL	ZINC ( Z 30 A )	ZINC ( Z 30 A )
4	BONNET	BRASS ( C37700 )	BRASS ( C46400 )
5	PACKING	FIBRE	FIBRE
6	O RING	RUBBER (NBR) SN-719F	RUBBER (NBR) SN-719F
7	STEM	BRASS ( C37700 )	BRASS ( C46400 )
8	SEAT PACKING	RUBBER (NBR) SN-819F	RUBBER (NBR) SN-819F
9	SEAT SCREW	BRASS ( C26000 )	BRASS ( C26000 )
10	BODY	BRASS ( C85700 )	BRASS ( C46400 MOD )
11	PACKING	RUBBER (NBR) SN-719F	RUBBER (NBR) SN-719F
12	DRAIN BOLT	BRASS ( C37700 )	BRASS ( C46400 )
CERTIFIED UNDER		C CSA US	AB 1953

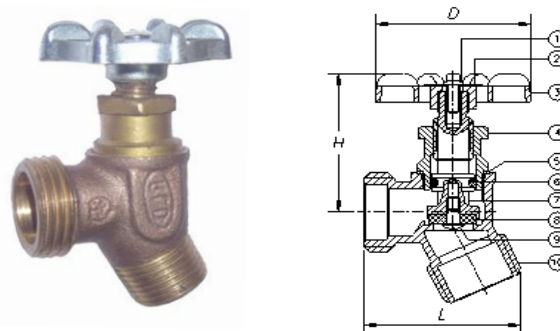
### 9.4.1. STOP - STOP & WASTE VALVES

ITEM NO.	SIZE	DIMENSION ( mm )				PART NO.	QUANTITY	
		L	H	H	D		IB	OB
MVO 94 / MVO 94 NL	1/2" FCXC	59.5	-	51	48	1, 2, 3, 4, 5, 6, 7, 8, 9	12	72
MVO 95 / MVO 95 NL	1/2" FCXC & WASTE	59.5	19	51	48	ALL	12	144



### 9.4.2. SEDIMEN FAUCET

ITEM NO.	SIZE	DIMENSION ( mm )			PART NO.	QUANTITY	
		L	H	D		IB	OB
MVO 96 / MVO 96 NL	1/2" MIP X 3/4" MHT	46	47	48	1, 2, 3, 4, 5, 6, 7, 8, 9	12	144
MVO 97 / MVO 97 NL	1/2" MIP X 3/4" MHT	48.5	47	48	1, 2, 3, 4, 5, 6, 7, 8, 9	12	144

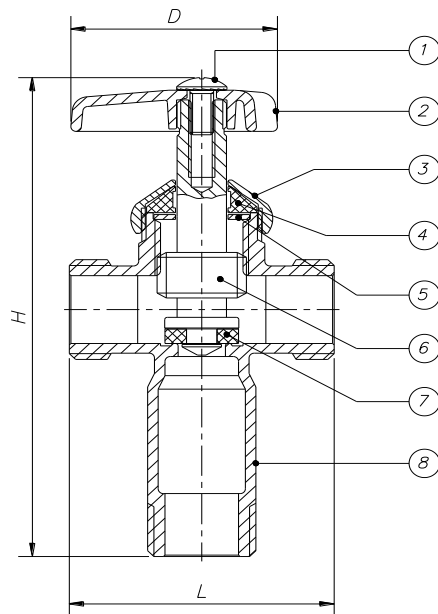


# 9.5 STOP VALVES TEE

## FEATURE

BRASS MATERIAL

FIP X FIP X FIP



## MATERIAL SPECIFICATION

NO	PARTS	BRASS REGULAR	BRASS NO LEAD
1	HANDLE BOLT	BRASS ( C26000 )	BRASS ( C26000 )
2	HANDLE	BRASS ( C85700 )	BRASS ( C85700 )
3	BONNET	BRASS ( C37700 )	BRASS ( C37700 )
4	GLAND PACKING	RUBBER (NBR) SN-719F	RUBBER (NBR) SN-719F
5	WASHER	STAINLESS STEEL ( 304 )	STAINLESS STEEL ( 304 )
6	STEM	BRASS ( C37700 )	BRASS ( C46400 )
7	SEAT PACKING	RUBBER (NBR) SN-819F	RUBBER (NBR) SN-819F
8	BODY	BRASS ( C85700 )	BRASS ( C46400 MOD )

ITEM NO.	SIZE	DIMENSION ( mm )			PART NO.	QUANTITY	
		L	H	D		IB	OB

SVT 2N / SVT 2N NL	1/2" FIP X 1/2" FIP X 1/2" FIP	50.4	98.9	39.3	ALL		
--------------------	--------------------------------	------	------	------	-----	--	--



PT. EVER AGE VALVES METALS  
GRESIK - INDONESIA

PHONE : 62-31-8976388  
62-31-8978388  
62-31-8972988

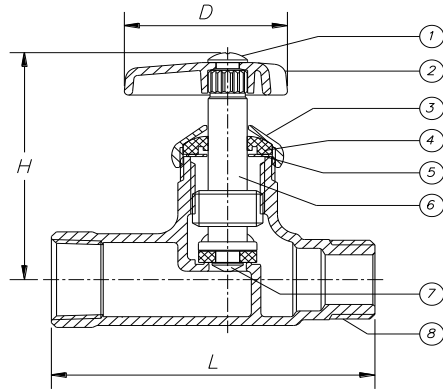
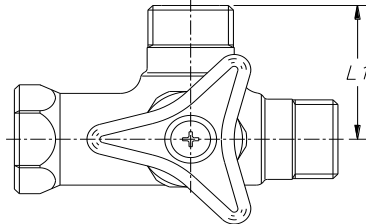
FAX : 62-31-8977288 / 62-31-8982899  
E-MAIL : everagevalvesmetals@gmail.com  
Website : www.everagevalves.com

# 9.5 STOP VALVES TEE

## FEATURE

BRASS MATERIAL

FIP X MIP



## MATERIAL SPECIFICATION

NO	PARTS	BRASS REGULAR	BRASS NO LEAD
1	HANDLE BOLT	BRASS ( C26000 )	BRASS ( C26000 )
2	HANDLE	BRASS ( C85700 )	BRASS ( C85700 )
3	BONNET	BRASS ( C37700 )	BRASS ( C37700 )
4	GLAND PACKING	RUBBER (NBR) SN-719F	RUBBER (NBR) SN-719F
5	WASHER	STAINLESS STEEL ( 304 )	STAINLESS STEEL ( 304 )
6	STEM	BRASS ( C37700 )	BRASS ( C46400 )
7	SEAT PACKING	RUBBER (NBR) SN-819F	RUBBER (NBR) SN-819F
8	BODY	BRASS ( C85700 )	BRASS ( C46400 MOD )

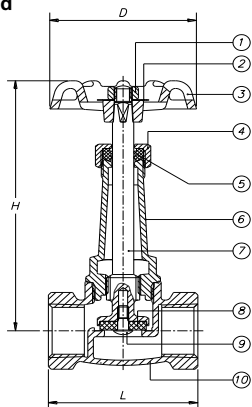
ITEM NO.	SIZE	DIMENSION ( mm )				PART NO.	QUANTITY	
		L	L1	H	D		IB	OB

SVT 2 / SVT 2 NL	1/2" FIP X 1/2" MIP	78	35	59.4	39.3	ALL		
------------------	---------------------	----	----	------	------	-----	--	--

## 9.6. STOP & WASTE VALVES WITH LONG BONNET



Threaded



### FEATURE

BRASS MATERIAL

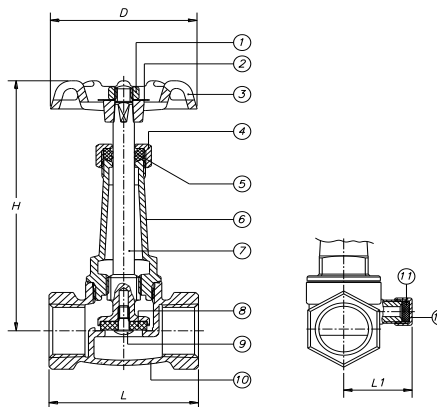
THREADED

THREADED & WASTE



Threaded & Waste

AB 1953 ✓



### MATERIAL SPECIFICATION

NO	PARTS	BRASS REGULAR	BRASS NO LEAD
1	WHEEL NUT	HOT ROLLED ( SAE 1010R )	HOT ROLLED ( SAE 1010R )
2	NAME PLATE	ALUMINIUM ( A1100 )	ALUMINIUM ( A1100 )
3	HANDWHEEL	CAST IRON ( JIS ZZ2202 )	CAST IRON ( JIS ZZ2202 )
	CROSS HANDLE	BRASS ( C85700 )	BRASS ( C85700 )
4	PEGLER HANDLE	CAST IRON ( JIS ZZ2202 )	CAST IRON ( JIS ZZ2202 )
	PACKING NUT	BRASS ( C37700 )	BRASS ( C37700 )
5	GLAND PACKING	TEFLON POLYFLON ( PTFE M-392 )	TEFLON POLYFLON ( PTFE M-392 )
		GRAPHITE ( LK 33 NAFG )	GRAPHITE ( LK 33 NAFG )
		RUBBER (NBR) SN-719F	RUBBER (NBR) SN-719F
		BRASS ( C85700 )	BRASS ( C46400 MOD )
6	BONNET	BRASS ( C85700 )	BRASS ( C46400 MOD )
7	STEM	BRASS ( C85700 )	BRASS ( C46400 MOD )
8	SEAT PACKING	RUBBER (NBR) SN-819F	RUBBER (NBR) SN-819F
9	SEAT SCREW	BRASS ( C26000 )	BRASS ( C26000 )
10	BODY	BRASS ( C85700 )	BRASS ( C46400 MOD )
11	PACKING	RUBBER (NBR) SN-719F	RUBBER (NBR) SN-719F
12	DRAIN CAP	BRASS ( C37700 )	BRASS ( C37700 )

CERTIFIED UNDER	C CSA US, NSF / ANSI 61	NSF / ANSI 372, AB 1953
-----------------	-------------------------	-------------------------

ITEM NO.	SIZE	DIMENSION (mm)				PART NO.	QUANTITY	
		L	L1	H	D		IB	OB

**Threaded**

MVL 0 / MVL 0 NL	3/8" FIP X 3/8" FIP	52	-	64	53	1, 2, 3, 4, 5, 6, 7, 8, 9, 10	10	100
MVL 1 / MVL 1 NL	1/2" FIP X 1/2" FIP	54	-	64	53	1, 2, 3, 4, 5, 6, 7, 8, 9, 10	10	100
MVL 2 / MVL 2 NL	3/4" FIP X 3/4" FIP	56	-	64	53	1, 2, 3, 4, 5, 6, 7, 8, 9, 10	10	100

**Threaded & Waste**

MVL 0W / MVL 0W NL	3/8" FIP X 3/8" FIP & WASTE	52	24	97.7	53	ALL	10	100
MVL 3 / MVL 3 NL	1/2" FIP X 1/2" FIP & WASTE	54	24	97.7	53	ALL	10	100
MVL 4 / MVL 4 NL	3/4" FIP X 3/4" FIP & WASTE	56	24	97.7	53	ALL	10	100

## 9.7. STOP & WASTE VALVES WITH LONG BONNET



FCXC

### FEATURE

BRASS MATERIAL

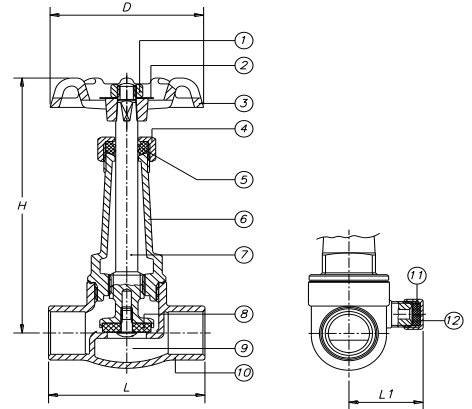
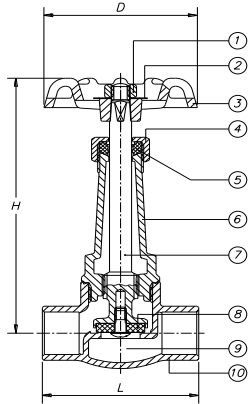
FCXC

FCXC & WASTE



FCXC & Waste

AB 1953



### MATERIAL SPECIFICATION

NO	PARTS	BRASS REGULAR	BRASS NO LEAD
1	WHEEL NUT	HOT ROLLED ( SAE 1010R )	HOT ROLLED ( SAE 1010R )
2	NAME PLATE	ALUMINIUM ( A1100 )	ALUMINIUM ( A1100 )
3	HANDWHEEL	CAST IRON ( JIS ZZ2202 )	CAST IRON ( JIS ZZ2202 )
	CROSS HANDLE	BRASS ( C85700 )	BRASS ( C85700 )
4	PEGLER HANDLE	CAST IRON ( JIS ZZ2202 )	CAST IRON ( JIS ZZ2202 )
	PACKING NUT	BRASS ( C37700 )	BRASS ( C37700 )
5	GLAND PACKING	TEFLON POLYFLON ( PTFE M-392 )	TEFLON POLYFLON ( PTFE M-392 )
		GRAPHITE ( LK 33 NAFG )	GRAPHITE ( LK 33 NAFG )
		RUBBER (NBR) SN-719F	RUBBER (NBR) SN-719F
6	BONNET	BRASS ( C85700 )	BRASS ( C46400 MOD )
7	STEM	BRASS ( C85700 )	BRASS ( C46400 MOD )
8	SEAT PACKING	RUBBER (NBR) SN-819F	RUBBER (NBR) SN-819F
9	SEAT SCREW	BRASS ( C26000 )	BRASS ( C26000 )
10	BODY	BRASS ( C85700 )	BRASS ( C46400 MOD )
11	PACKING	RUBBER (NBR) SN-719F	RUBBER (NBR) SN-719F
12	DRAIN CAP	BRASS ( C37700 )	BRASS ( C37700 )

CERTIFIED UNDER

AB 1953

ITEM NO.	SIZE	DIMENSION (mm)				PART NO.	QUANTITY	
		L	L1	H	D		IB	OB

**FCXC**

MVL 13 / MVL 13 NL	3/8" FCXC X 3/8" FCXC	52	-	97.7	53	1, 2, 3, 4, 5, 6, 7, 8, 9, 10	10	100
MVL 5 / MVL 5 NL	1/2" FCXC X 1/2" FCXC	54	-	97.7	53	1, 2, 3, 4, 5, 6, 7, 8, 9, 10	10	100
MVL 6 / MVL 6 NL	3/4" FCXC X 3/4" FCXC	68	-	97.7	53	1, 2, 3, 4, 5, 6, 7, 8, 9, 10	10	100

**FCXC X WASTE**

MVL 14 / MVL 14 NL	3/8" FCXC X 3/8" FCXC & WASTE	49	24	97.7	53	ALL	10	100
MVL 7 / MVL 7 NL	1/2" FCXC X 1/2" FCXC & WASTE	54	24	97.7	53	ALL	10	100
MVL 8 / MVL 8 NL	3/4" FCXC X 3/4" FCXC & WASTE	68	24	97.7	53	ALL	10	100



## 9.8. STOP & WASTE VALVES WITH COMP.NUT & LONG BONNET



COMPRESSION NUT

### FEATURE

BRASS MATERIAL

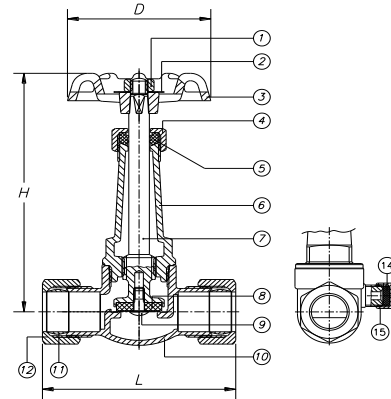
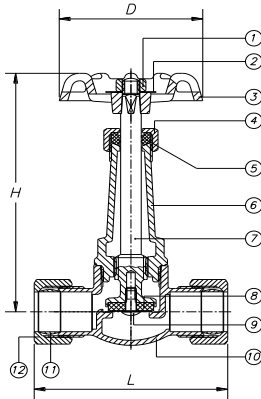
COMPRESSION NUT

COMPRESSION NUT & WASTE

AB 1953



COMPRESSION NUT & WASTE



### MATERIAL SPECIFICATION

NO	PARTS	BRASS REGULAR	BRASS NO LEAD
1	WHEEL NUT	HOT ROLLED ( SAE 1010R )	HOT ROLLED ( SAE 1010R )
2	NAME PLATE	ALUMINIUM ( A1100 )	ALUMINIUM ( A1100 )
3	HANDWHEEL	CAST IRON ( JIS ZZ2202 )	CAST IRON ( JIS ZZ2202 )
	CROSS HANDLE	BRASS ( C85700 )	BRASS ( C85700 )
4	PEGLER HANDLE	CAST IRON ( JIS ZZ2202 )	CAST IRON ( JIS ZZ2202 )
	PACKING NUT	BRASS ( C37700 )	BRASS ( C37700 )
5	GLAND PACKING	TEFLON POLYFLON ( PTFE M-392 )	TEFLON POLYFLON ( PTFE M-392 )
		GRAPHITE ( LK 33 NAFG )	GRAPHITE ( LK 33 NAFG )
		RUBBER (NBR) SN-719F	RUBBER (NBR) SN-719F
6	BONNET	BRASS ( C85700 )	BRASS ( C46400 MOD )
7	STEM	BRASS ( C85700 )	BRASS ( C46400 MOD )
8	SEAT PACKING	RUBBER (NBR) SN-819F	RUBBER (NBR) SN-819F
9	SEAT SCREW	BRASS ( C26000 )	BRASS ( C26000 )
10	BODY	BRASS ( C85700 )	BRASS ( C46400 MOD )
11	SLEEVE	BRASS ( C37700 )	BRASS ( C46400 )
12	PACKING NUT	BRASS ( C37700 )	BRASS ( C37700 )
13	PACKING	RUBBER (NBR) SN-719F	RUBBER (NBR) SN-719F
14	DRAIN CAP	BRASS ( C37700 )	BRASS ( C37700 )
CERTIFIED UNDER		C CSA US, NSF / ANSI 61	NSF / ANSI 372, AB 1953

ITEM NO.	SIZE	DIMENSION (mm)				PART NO.	QUANTITY	
		L	L1	H	D		IB	OB
<b>COMP.NUT</b>								
MVL 9 / MVL 9 NL	5/8" OD.COMP	63	-	97.7	53	1, 2, 3, 4, 5, 6, 7, 8, 9, 10, 11, 12		
MVL 10 / MVL 10 NL	7/8" OD.COMP	77	-	97.7	53	1, 2, 3, 4, 5, 6, 7, 8, 9, 10, 11, 12		
<b>COMP.NUT &amp; WASTE</b>								
MVL 11 / MVL 11 NL	5/8" OD.COMP & WASTE	63	24	97.7	53	1, 2, 3, 4, 5, 6, 7, 8, 9, 10, 11, 12		
MVL 12 / MVL 12 NL	7/8" OD.COMP & WASTE	77	24	97.7	53	1, 2, 3, 4, 5, 6, 7, 8, 9, 10, 11, 12		