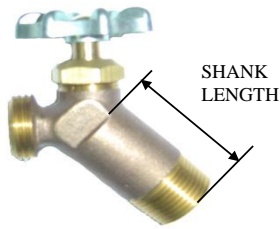


11. WATER HEATER DRAIN VALVES

11.1. WATER HEATER DRAIN VALVES



MV 159 ~ 170 & 176



MV 175



MV 171 ~ 172



MV 173 ~ 174

FEATURE

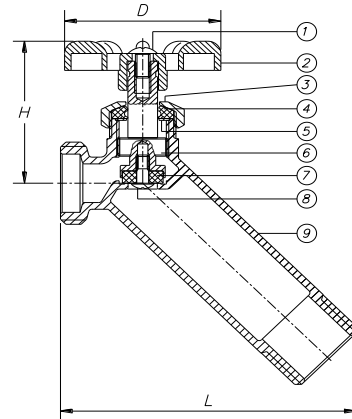
BRASS MATERIAL

MIP X MHT

FIP X MHT

FIP X MHT X 1/8" FIP

NSF / ANSI 61
NSF / ANSI 372
LOW LEAD
AB 1953



MATERIAL SPECIFICATION

NO	PARTS	BRASS REGULAR	BRASS NO LEAD
1	HANDLE BOLT	HOT ROLLED (SAE 1010R)	HOT ROLLED (SAE 1010R)
2	HANDWHEEL	ZINC (Z30A)	ZINC (Z30A)
3	BONNET	BRASS (C37700)	BRASS (C37700)
4	GLAND PACKING	RUBBER (NBR) SN-719F	RUBBER (NBR) SN-719F
5	WASHER	STAINLESS STEEL (304)	STAINLESS STEEL (304)
6	STEM	BRASS (C37700)	BRASS (C46400)
7	SEAT PACKING	RUBBER (NBR) SN-819F	RUBBER (NBR) SN-819F
8	SEAT SCREW	BRASS (C26000)	BRASS (C26000)
9	BODY	BRASS (C85700)	BRASS (C46400 MOD)
CERTIFIED UNDER		C CSA US, NSF / ANSI 61	NSF / ANSI 372, AB 1953

ITEM NO.	SIZE SHANK LENGTH	DIMENSION (mm)			PART NO.	QUANTITY	
		L	H	D		IB	OB

3/4" MIP X 3/4" MHT

MV 159 / MV 159 NL	5/8"	47.5	46.5	48	ALL	10	100
MV 160 / MV 160 NL	3/4"	48	46.5	48	ALL	10	100
MV 161 / MV 161 NL	1"	53	46.5	48	ALL	10	100
MV 162 / MV 162 NL	1 1/4"	57	46.5	48	ALL	10	100
MV 163 / MV 163 NL	1 1/2"	62	46.5	48	ALL	10	100
MV 164 / MV 164 NL	1 3/4"	66	46.5	48	ALL	10	100
MV 165 / MV 165 NL	2"	72	46.5	48	ALL	5	50
MV 166 / MV 166 NL	2 1/4"	75	46.5	48	ALL	5	50
MV 167 / MV 167 NL	2 1/2"	79	46.5	48	ALL	5	50
MV 168 / MV 168 NL	2 3/4"	83.5	46.5	48	ALL	5	50
MV 169 / MV 169 NL	3"	88	46.5	48	ALL	5	50
MV 170 / MV 170 NL	3 1/4"	94	46.5	48	ALL	5	50
MV 176 / MV 176 NL	3 1/2"	99.5	46.5	48	ALL	5	50

FIP X MHT

MV 171 / MV 171 NL	1/2"	54	48.5	48	ALL	10	100
MV 172 / MV 172 NL	3/4"	54	48.5	48	ALL	10	100

FIP X MHT X 1/8" FIP

MV 173 / MV 173 NL	3/4"	55	47	48	ALL	10	100
MV 174 / MV 174 NL	3/4"	55	47	48	ALL	10	100

MIP X MHT

MV 175 / MV 175 NL	1/2"	50.5	44.5	48	ALL	10	100
--------------------	------	------	------	----	-----	----	-----

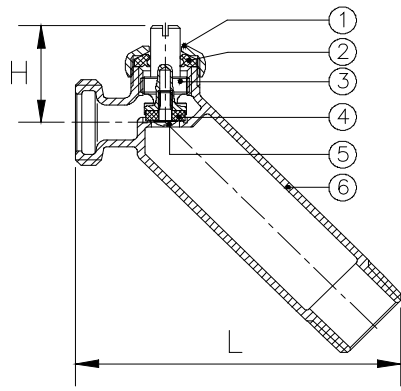
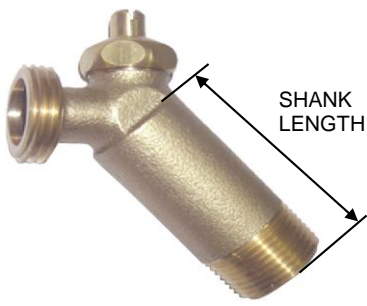
11.2. WATER HEATER DRAIN VALVE WITHOUT HANDLE

FEATURE

BRASS MATERIALS

3/4" MIP X 3/4" MHT

NSF / ANSI 61
 NSF / ANSI 372
 LOW LEAD
 AB 1953 ✓



MATERIAL SPECIFICATION

NO	PARTS	BRASS REGULAR	BRASS NO LEAD
1	BONNET	BRASS (C37700)	BRASS (C37700)
2	GLAND PACKING	RUBBER (NBR) SN-719F	RUBBER (NBR) SN-719F
3	STEM	BRASS (C37700)	BRASS (C46400)
4	SEAT PACKING	RUBBER (NBR) SN-819F	RUBBER (NBR) SN-819F
5	SEAT SCREW	BRASS (C26000)	BRASS (C26000)
6	BODY	BRASS (C85700)	BRASS (C46400 MOD)
CERTIFIED UNDER		C CSA US, NSF / ANSI 61	NSF / ANSI 372, AB 1953

ITEM NO.	SIZE SHANK LENGTH	DIMENSION (mm)		PART NO	QUANTITY	
		L	H		IB	OB
MV 159T / MV 159T NL	5/8"	48	30	ALL	10	100
MV 160T / MV 160T NL	3/4"	50	30	ALL	10	100
MV 161T / MV 161T NL	1"	55	30	ALL	10	100
MV 162T / MV 162T NL	1 1/4"	59	30	ALL	10	100
MV 163T / MV 163T NL	1 1/2"	64	30	ALL	10	100
MV 164T / MV 164T NL	1 3/4"	68	30	ALL	10	100
MV 165T / MV 165T NL	2"	73	30	ALL	5	50
MV 166T / MV 166T NL	2 1/4"	77	30	ALL	5	50
MV 167T / MV 167T NL	2 1/2"	82	30	ALL	5	50
MV 168T / MV 168T NL	2 3/4"	86	30	ALL	5	50
MV 169T / MV 169T NL	3"	90.5	30	ALL	5	50
MV 170T / MV 170T NL	3 1/4"	95	30	ALL	5	50
MV 176T / MV176T NL	3 1/2"	99.5	30	ALL	5	50

11.3. WATER HEATER DRAIN VALVE WITHOUT HANDLE

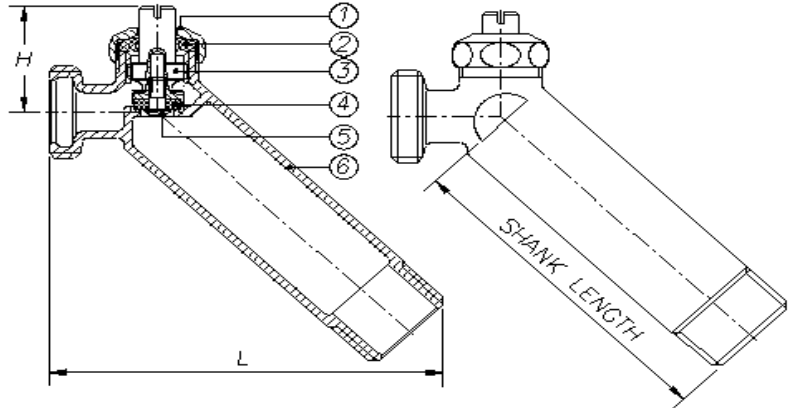
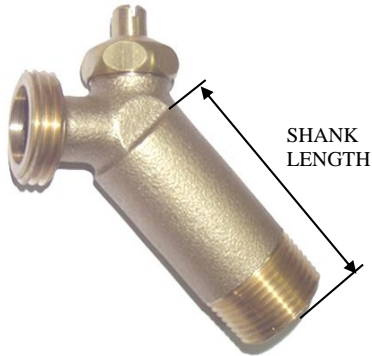
FEATURE

NSF/ANSI 61
NSF/ANSI 372
LOW LEAD
AB 1953



BRASS MATERIALS

3/4" MIP & 1/2" FIP X 3/4" MHT

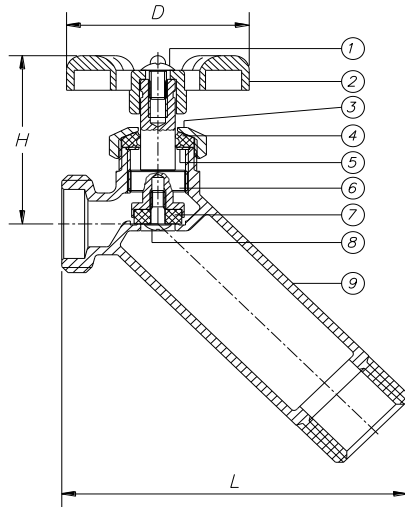


MATERIAL SPECIFICATION

NO	PARTS	BRASS REGULAR	BRASS NO LEAD
1	BONNET	BRASS (C37700)	BRASS (C37700)
2	GLAND PACKING	RUBBER (NBR) SN-719F	RUBBER (NBR) SN-719F
3	STEM	BRASS (C37700)	BRASS (C46400)
4	SEAT PACKING	RUBBER (NBR) SN-819F	RUBBER (NBR) SN-819F
5	SEAT SCREW	BRASS (C26000)	BRASS (C26000)
6	BODY	BRASS (C85700)	BRASS (C46400 MOD)
CERTIFIED UNDER		C CSA US, NSF / ANSI 61	NSF / ANSI 372, AB 1953

ITEM NO.	SIZE SHANK LENGTH	DIMENSION (mm)		PART NO	QUANTITY	
		L	H		IB	OB
MV 159 AT / MV 159 AT NL	5/8"	48	30	ALL	10	100
MV 160 AT / MV 160 AT NL	3/4"	50	30	ALL	10	100
MV 161 AT / MV 161 AT NL	1"	55	30	ALL	10	100
MV 162 AT / MV 162 AT NL	1 1/4"	59	30	ALL	10	100
MV 163 AT / MV 163 AT NL	1 1/2"	64	30	ALL	10	100
MV 164 AT / MV 164 AT NL	1 3/4"	68	30	ALL	10	100
MV 165 AT / MV 165 AT NL	2"	73	30	ALL	5	50
MV 166 AT / MV 166 AT NL	2 1/4"	77	30	ALL	5	50
MV 167 AT / MV 167 AT NL	2 1/2"	82	30	ALL	5	50
MV 168 AT / MV 168 AT NL	2 3/4"	86	30	ALL	5	50
MV 169 AT / MV 169 AT NL	3"	90.5	30	ALL	5	50
MV 170 AT / MV 170 AT NL	3 1/4"	95	30	ALL	5	50
MV 176 AT / MV 176 AT NL	3 1/2"	99.5	30	ALL	5	50

11.4. WATER HEATER DRAIN VALVES

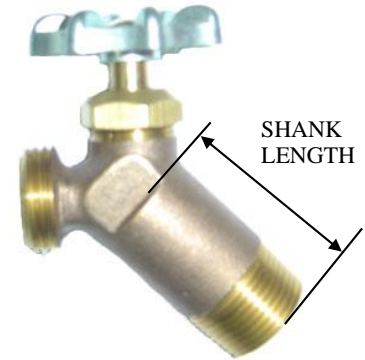


FEATURE

BRASS MATERIAL

3/4" MIP & 1/2" FIP X 3/4" MHT

NSF / ANSI 61
 NSF / ANSI 372
 LOW LEAD
 AB 1953



MATERIAL SPECIFICATION

NO	PARTS	BRASS REGULAR	BRASS NO LEAD
1	HANDLE BOLT	HOT ROLLED (SAE 1010R)	HOT ROLLED (SAE 1010R)
2	HANDWHEEL	ZINC (Z30A)	ZINC (Z30A)
3	BONNET	BRASS (C37700)	BRASS (C37700)
4	GLAND PACKING	RUBBER (NBR) SN-719F	RUBBER (NBR) SN-719F
5	WASHER	STAINLESS STEEL (304)	STAINLESS STEEL (304)
6	STEM	BRASS (C37700)	BRASS (C46400)
7	SEAT PACKING	RUBBER (NBR) SN-819F	RUBBER (NBR) SN-819F
8	SEAT SCREW	BRASS (C26000)	BRASS (C26000)
9	BODY	BRASS (C85700)	BRASS (C46400 MOD)
CERTIFIED UNDER		C CSA US, NSF / ANSI 61	NSF / ANSI 372, AB 1953


ITEM NO.	SIZE SHANK LENGTH	DIMENSION (mm)			PART NO.	QUANTITY	
		L	H	D		IB	OB
MV 159A / MV 159A NL	5/8"	47.5	46.5	48	ALL	10	100
MV 160A / MV 160A NL	3/4"	48	46.5	48	ALL	10	100
MV 161A / MV 161A NL	1"	53	46.5	48	ALL	10	100
MV 162A / MV 162A NL	1 1/4"	57	46.5	48	ALL	10	100
MV 163A / MV 163A NL	1 1/2"	62	46.5	48	ALL	10	100
MV 164A / MV 164A NL	1 3/4"	66	46.5	48	ALL	10	100
MV 165A / MV 165A NL	2"	72	46.5	48	ALL	5	50
MV 166A / MV 166A NL	2 1/4"	75	46.5	48	ALL	5	50
MV 167A / MV 167A NL	2 1/2"	79	46.5	48	ALL	12	72
MV 168A / MV 168A NL	2 3/4"	83.5	46.5	48	ALL	5	50
MV 169A / MV 169A NL	3"	88	46.5	48	ALL	5	50
MV 170A / MV 170A NL	3 1/4"	94	46.5	48	ALL	5	50
MV 176A / MV 176A NL	3 1/2"	99.5	46.5	48	ALL	5	50

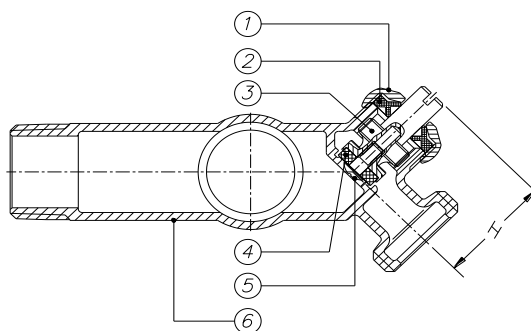
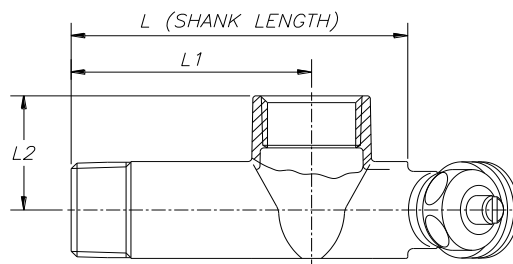
11.5. WATER HEATER DRAIN VALVES WITH BRANCH

FEATURE

BRASS MATERIAL

3/4" MIP & 3/4" FIP X 3/4" MHT

LOW LEAD
AB 1953 



MATERIAL SPECIFICATION

NO	PARTS	BRASS REGULAR	BRASS NO LEAD
1	BONNET	BRASS (C37700)	BRASS (C37700)
2	GLAND PACKING	RUBBER (NBR) SN-719F	RUBBER (NBR) SN-719F
3	STEM	BRASS (C37700)	BRASS (C46400)
4	SEAT PACKING	RUBBER (NBR) SN-819F	RUBBER (NBR) SN-819F
5	SEAT SCREW	BRASS (C26000)	BRASS (C26000)
6	BODY	BRASS (C85700)	BRASS (C46400 MOD)
CERTIFIED UNDER		AB 1953	

ITEM NO.	SIZE SHANK LENGTH	DIMENSION (mm)				PART NO.	QUANTITY	
		L	L1	L2	H		IB	OB
MV 376 / MV 376 NL	3 1/2"	88.9	63.5	31.8	30	ALL		
MV 378 / MV 378 NL	4"	99.5	74.1	31.8	30	ALL		

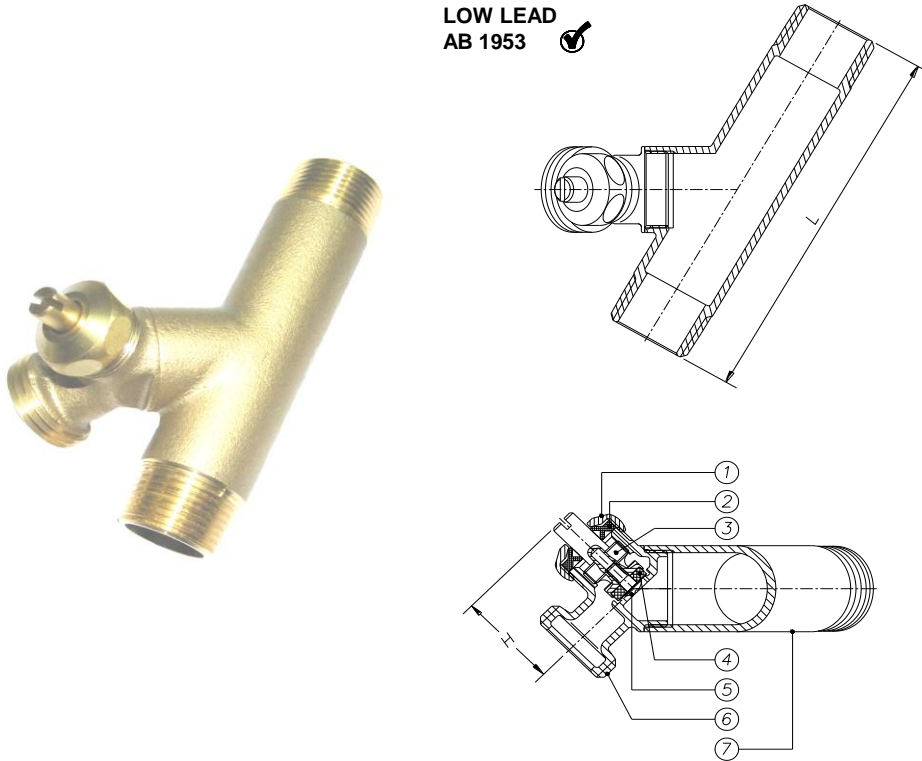
11.6. " Y " WATER HEATER DRAIN VALVES

FEATURE

BRASS MATERIAL

MIP & MIP X MHT

LOW LEAD
AB 1953



MATERIAL SPECIFICATION

NO	PARTS	BRASS REGULAR	BRASS NO LEAD
1	BONNET	BRASS (C37700)	BRASS (C37700)
2	GLAND PACKING	RUBBER (NBR) SN-719F	RUBBER (NBR) SN-719F
3	STEM	BRASS (C37700)	BRASS (C46400)
4	SEAT PACKING	RUBBER (NBR) SN-819F	RUBBER (NBR) SN-819F
5	SEAT SCREW	BRASS (C26000)	BRASS (C26000)
6	BODY	BRASS (C85700)	BRASS (C46400 MOD)
7	NIPPLE	BRASS (C85700)	BRASS (C46400 MOD)
CERTIFIED UNDER			AB 1953

ITEM NO.	SIZE	DIMENSION (mm)		PART NO.	QUANTITY	
		L	H		IB	OB
MV 480 / MV 480 NL	3/4" MIP & 3/4" MIP X 3/4" MHT	114.3	30	ALL		