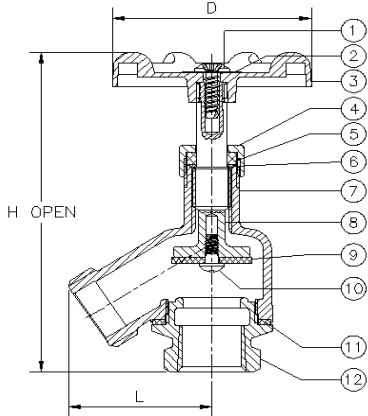


15. GARDEN VALVES

15.1. BENT NOSE GARDEN VALVES HEAVY DUTY



HBH 34-37



FEATURE

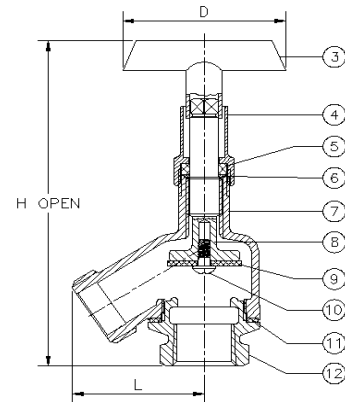
BRASS MATERIAL

FIP X MHT

LOW LEAD
AB 1953



HBH 34-37 LOOSE KEY



MATERIAL SPECIFICATION

NO	PARTS	BRASS REGULAR	BRASS REGULAR
1	HANDLE BOLT	STAINLESS STEEL (304)	STAINLESS STEEL (304)
		BRASS (C26000)	BRASS (C26000)
2	NAME PLATE	ALUMINIUM (A1100)	ALUMINIUM (A1100)
3	ELIPS HANDLE	ZINC (Z30A)	ZINC (Z30A)
	T HANDLE		
4	PACKING NUT	BRASS (C37700)	BRASS (C37700)
5	GLAND PACKING	GRAPHITE (LK 33 NAFG)	GRAPHITE (LK 33 NAFG)
		RUBBER (NBR) SN-719F	RUBBER (NBR) SN-719F
6	WASHER	STAINLESS STEEL (304)	STAINLESS STEEL (304)
7	BODY	BRASS (C85700)	BRASS (C46400 MOD)
8	STEM	BRASS (C85700)	BRASS (C46400 MOD)
9	SEAT PACKING	RUBBER (NBR) SN-819F	RUBBER (NBR) SN-819F
10	SEAT SCREW	STAINLESS STEEL (304)	STAINLESS STEEL (304)
		BRASS (C26000)	BRASS (C26000)
11	PACKING	FIBRE	FIBRE
12	BONNET	BRASS (C85700)	BRASS (C46400 MOD)

CERTIFIED UNDER

C CSA US

AB 1953

ITEM NO.	SIZE	DIMENSION (mm)			PART NO.	QUANTITY	
		L	H	D		IB	OB
HBH 34 / HBH 34 NL	1/2" FIP X 3/4" MHT	44.5	112	62.5	ALL	12	72
HBH 35 / HBH 35 NL	3/4" FIP X 3/4" MHT	44.5	112	62.5	ALL	12	72
HBH 36 / HBH 36 NL	1" FIP X 3/4" MHT	44.5	116	62.5	ALL	12	72
HBH 37 / HBH 37 NL	1" FIP X 1" MHT	44.5	116	62.5	ALL	12	72

WITH LOOSE KEY HANDLE

HBH 34K / HBH 34K NL	1/2" FIP X 3/4" MHT	44.5	115	55	3, 4, 5, 6, 7, 8, 9, 10, 11, 12	12	72
HBH 35K / HBH 35K NL	3/4" FIP X 3/4" MHT	44.5	115	55	3, 4, 5, 6, 7, 8, 9, 10, 11, 12	12	72
HBH 36K / HBH 36K NL	1" FIP X 3/4" MHT	44.5	121	55	3, 4, 5, 6, 7, 8, 9, 10, 11, 12	12	72
HBH 37K / HBH 37K NL	1" FIP X 1" MHT	44.5	121	55	3, 4, 5, 6, 7, 8, 9, 10, 11, 12	12	72

15.1.1. BENT NOSE GARDEN VALVES HEAVY DUTY WITH FLOATING SEAT



HBH 34A-36A

FEATURE

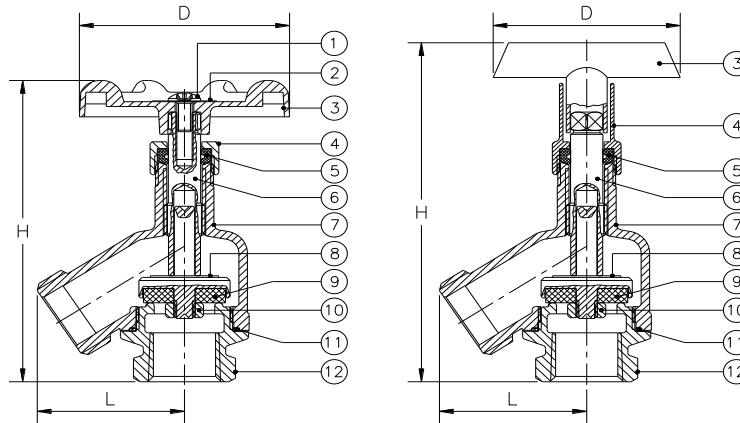
BRASS MATERIAL

FIP X MHT

LOW LEAD
AB 1953 ✓



HBH 34KA-36KA LOOSE KEY



MATERIAL SPECIFICATION

NO	PARTS	BRASS REGULAR	BRASS NO LEAD
1	HANDLE BOLT	HOT ROLLED (SAE 1010R)	HOT ROLLED (SAE 1010R)
2	NAME PLATE	ALUMINIUM (A1100)	ALUMINIUM (A1100)
3	ELLIPSE HANDLE T HANDLE	ZINC (Z30A)	ZINC (Z30A)
4	PACKING NUT	BRASS (C37700)	BRASS (C37700)
5	PACKING	RUBBER (NBR) SN-719F	RUBBER (NBR) SN-719F
6	STEM	BRASS (C85700)	BRASS (C46400 MOD)
7	BODY	BRASS (C85700)	BRASS (C46400 MOD)
8	SEAT HOLDER	BRASS (C85700)	BRASS (C46400 MOD)
9	SEAT PACKING	RUBBER (NBR) SN-819F	RUBBER (NBR) SN-819F
10	NUT	BRASS (C26000)	BRASS (C26000)
11	PACKING	FIBRE	FIBRE
12	BONNET	BRASS (C85700)	BRASS (C46400 MOD)
CERTIFIED UNDER		C CSA US	AB 1953

ITEM NO.	SIZE	DIMENSION (mm)			PART NO.	QUANTITY	
		L	H	D		IB	OB
HBH 34A / HBH 34A NL	1/2" FIP X 3/4" MHT	44.5	112	62.5	ALL	12	72
HBH 35A / HBH 35A NL	3/4" FIP X 3/4" MHT	44.5	112	62.5	ALL	12	72
HBH 36A / HBH 36A NL	1" FIP X 3/4" MHT	44.5	116	62.5	ALL	12	72

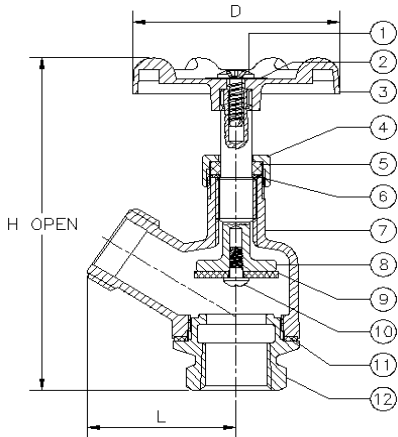
WITH LOOSE KEY HANDLE

HBH 34KA / HBH 34KA NL	1/2" FIP X 3/4" MHT	44.5	115	55	3, 4, 5, 6, 7, 8, 9, 10, 11, 12	12	72
HBH 35KA / HBH 35KA NL	3/4" FIP X 3/4" MHT	44.5	115	55	3, 4, 5, 6, 7, 8, 9, 10, 11, 12	12	72
HBH 36KA / HBH 36KA NL	1" FIP X 3/4" MHT	44.5	121	55	3, 4, 5, 6, 7, 8, 9, 10, 11, 12	12	72

15.2. INVERTED GARDEN VALVES HEAVY DUTY



HBHI 34-36



FEATURE

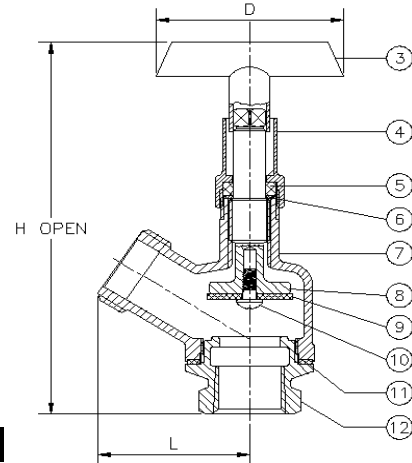
BRASS MATERIAL

FIP X MHT

LOW LEAD
AB 1953



HBHI 34-36 LOOSE KEY



MATERIAL SPECIFICATION

NO	PARTS	BRASS REGULAR	BRASS NO LEAD
		1	HANDLE BOLT
2	NAME PLATE	ALUMINIUM (A1100)	ALUMINIUM (A1100)
3	ELLIPSE HANDLE T HANDLE	ZINC (Z30A)	ZINC (Z30A)
4	PACKING NUT	BRASS (C37700)	BRASS (C37700)
5	GLAND PACKING	GRAPHITE (LK 33 NAFG) RUBBER (NBR) SN-719F	GRAPHITE (LK 33 NAFG) RUBBER (NBR) SN-719F
6	WASHER	STAINLESS STEEL (304)	STAINLESS STEEL (304)
7	BODY	BRASS (C85700)	BRASS (C46400 MOD)
8	STEM	BRASS (C85700)	BRASS (C46400 MOD)
9	SEAT PACKING	RUBBER (NBR) SN-819F	RUBBER (NBR) SN-819F
10	SEAT SCREW	STAINLESS STEEL (304) BRASS (C26000)	STAINLESS STEEL (304) BRASS (C26000)
11	PACKING	FIBRE	FIBRE
12	BONNET	BRASS (C85700)	BRASS (C46400 MOD)
CERTIFIED UNDER		C CSA US	AB 1953

ITEM NO.	SIZE	DIMENSION (mm)			PART NO.	QUANTITY	
		L	H	D		IB	OB
HBHI 34 / HBHI 34 NL	1/2" FIP X 3/4" MHT	44.5	112	62.5	ALL	12	72
HBHI 35 / HBHI 35 NL	3/4" FIP X 3/4" MHT	44.5	112	62.5	ALL	12	72
HBHI 36 / HBHI 36 NL	1" FIP X 3/4" MHT	44.5	116	62.5	ALL	12	72

WITH LOOSE KEY HANDLE

HBHI 34K / HBHI 34K NL	1/2" FIP X 3/4" MHT	44.5	115	55	3, 4, 5, 6, 7, 8, 9, 10, 11, 12	12	72
HBHI 35K / HBHI 35K NL	3/4" FIP X 3/4" MHT	44.5	115	55	3, 4, 5, 6, 7, 8, 9, 10, 11, 12	12	72
HBHI 36K / HBHI 36K NL	1" FIP X 3/4" MHT	44.5	121	55	3, 4, 5, 6, 7, 8, 9, 10, 11, 12	12	72



PT. EVER AGE VALVES METALS
GRESIK - INDONESIA

PHONE : 62-31-8976388
62-31-8978388
62-31-8972988

FAX : 62-31-8977288 / 62-31-8982899
E-MAIL : everagevalvesmetals@gmail.com
Website : www.everagevalves.com

15.2.1. INVERTED GARDEN VALVES HEAVY DUTY WITH FLOTING SEAT



HBHI 34A-36A

FEATURE

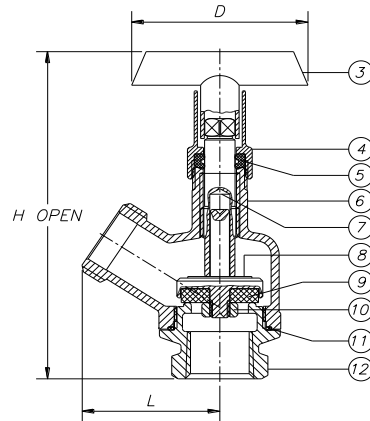
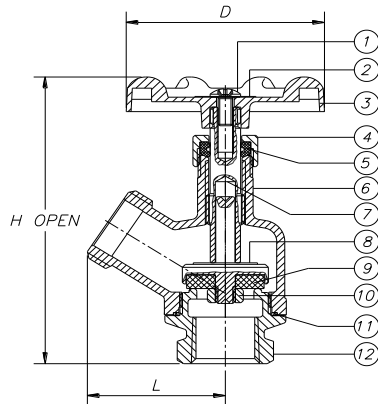
BRASS MATERIAL

FIP X MHT

LOW LEAD
AB 1953



HBHI 34KA-36KA LOOSE KEY



MATERIAL SPECIFICATION

NO	PARTS	BRASS REGULAR	BRASS NO LEAD
		1	HANDLE BOLT
2	NAME PLATE	ALUMINIUM (A1100)	ALUMINIUM (A1100)
3	ELLIPSE HANDLE	ZINC (Z30A)	ZINC (Z30A)
	T HANDLE		
4	PACKING NUT	BRASS (C37700)	BRASS (C37700)
5	GLAND PACKING	RUBBER (NBR) SN-719F	RUBBER (NBR) SN-719F
6	BODY	BRASS (C85700)	BRASS (C46400 MOD)
7	STEM	BRASS (C85700)	BRASS (C46400 MOD)
8	SEAT HOLDER	BRASS (C85700)	BRASS (C46400 MOD)
9	SEAT PACKING	RUBBER (NBR) SN-819F	RUBBER (NBR) SN-819F
10	NUT	BRASS (C26000)	BRASS (C26000)
11	PACKING	FIBRE	FIBRE
12	BONNET	BRASS (C85700)	BRASS (C46400 MOD)
CERTIFIED UNDER		C CSA US	AB 1953

ITEM NO.	SIZE	DIMENSION (mm)			PART NO.	QUANTITY	
		L	H(OPEN)	D		IB	OB
HBHI 34A / HBHI 34A NL	1/2" FIP X 3/4" MHT	44.5	112	62.5	ALL	12	72
HBHI 35A / HBHI 35A NL	3/4" FIP X 3/4" MHT	44.5	112	62.5	ALL	12	72
HBHI 36A / HBHI 36A NL	1" FIP X 3/4" MHT	44.5	116	62.5	ALL	12	72

WITH LOOSE KEY HANDLE

HBHI 34KA / HBHI 34KA NL	1/2" FIP X 3/4" MHT	44.5	115	55	3, 4, 5, 6, 7, 8, 9, 10, 11, 12	12	72
HBHI 35KA / HBHI 35KA NL	3/4" FIP X 3/4" MHT	44.5	115	55	3, 4, 5, 6, 7, 8, 9, 10, 11, 12	12	72
HBHI 36KA / HBHI 36KA NL	1" FIP X 3/4" MHT	44.5	121	55	3, 4, 5, 6, 7, 8, 9, 10, 11, 12	12	72



PT. EVER AGE VALVES METALS
GRESIK - INDONESIA

PHONE : 62-31-8976388
62-31-8978388
62-31-8972988

FAX : 62-31-8977288/62-31-8982899
E-MAIL : everagevalvesmetals@gmail.com
Website : www.everagevalves.com

15.3. BENT NOSE GARDEN VALVES HEAVY DUTY WITH VACUUM BREAKER

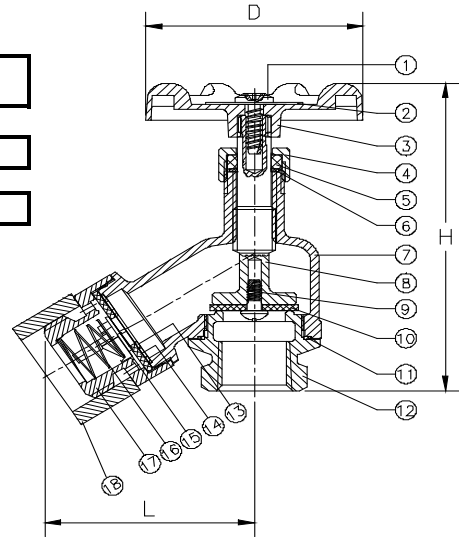


FEATURE

BRASS & BRONZE MATERIAL

FIP X MHT

LOW LEAD
AB 1953



MATERIAL SPECIFICATION

NO	PARTS	BRASS REGULAR	BRONZE REGULAR	BRASS NO LEAD	BRONZE NO LEAD
		STAINLESS STEEL (304) BRASS (C26000)	STAINLESS STEEL (304) BRASS (C26000)	STAINLESS STEEL (304) BRASS (C26000)	STAINLESS STEEL (304) BRASS (C26000)
2	NAME PLATE	ALUMINIUM (A1100)	ALUMINIUM (A1100)	ALUMINIUM (A1100)	ALUMINIUM (A1100)
3	ELIPS HANDLE T HANDLE	ZINC (Z30A)	ZINC (Z30A)	ZINC (Z30A)	ZINC (Z30A)
4	PACKING NUT	BRASS (C37700)	BRASS (C37700)	BRASS (C37700)	BRASS (C37700)
5	GLAND PACKING	GRAPHITE (LK 33 NAFG)	GRAPHITE (LK 33 NAFG)	GRAPHITE (LK 33 NAFG)	GRAPHITE (LK 33 NAFG)
6	WASHER	STAINLESS STEEL (304)	STAINLESS STEEL (304)	STAINLESS STEEL (304)	STAINLESS STEEL (304)
7	BODY	BRASS (C85700)	BRONZE (C84400) BRONZE (C83600)	BRASS (C46400 MOD)	BRASS (C89844 MOD)
8	STEM	BRASS (C85700)	BRONZE (C84400) BRONZE (C83600)	BRASS (C46400 MOD)	BRASS (C89844 MOD)
9	SEAT SCREW	STAINLESS STEEL (304) BRASS (C26000)	STAINLESS STEEL (304) BRASS (C26000)	STAINLESS STEEL (304) BRASS (C26000)	STAINLESS STEEL (304) BRASS (C26000)
10	SEAT PACKING	RUBBER (NBR) SN-819F	RUBBER (NBR) SN-819F	RUBBER (NBR) SN-819F	RUBBER (NBR) SN-819F
11	PACKING	FIBRE	FIBRE	FIBRE	FIBRE
12	BONNET	BRASS (C85700)	BRONZE (C84400) BRONZE (C83600)	BRASS (C46400 MOD)	BRASS (C89844 MOD)
13	WASHER	BRASS (C37700)	BRASS (C37700)	BRASS (C37700)	BRASS (C37700)
14	SEAT PACKING	RUBBER (NBR) SN-719F	RUBBER (NBR) SN-719F	RUBBER (NBR) SN-719F	RUBBER (NBR) SN-719F
15	SPRING SEAT	POM M90 FORMOCON FM090 CF500P	POM M90 FORMOCON FM090 CF500P	POM M90 FORMOCON FM090 CF500P	POM M90 FORMOCON FM090 CF500P
16	SPRING	STAINLESS STEEL (304)	STAINLESS STEEL (304)	STAINLESS STEEL (304)	STAINLESS STEEL (304)
17	HOSE BODY	BRASS (C37700)	BRASS (C37700)	BRASS (C46400)	BRASS (C46400)
18	COVER	PLASTIC	PLASTIC	PLASTIC	PLASTIC
CERTIFIED UNDER				AB 1953	AB 1953


ITEM NO.	SIZE	DIMENSION (mm)			PART NO.	QUANTITY	
		L	H	D		IB	OB
HBH 34 VB / HB 34 VB NL	1/2" FIP X 3/4" MHT	60	96.5	62	ALL		
HBH 35 VB / HB 35 VB NL	3/4" FIP X 3/4" MHT	60	96.5	62	ALL		
HBH 36 VB / HB 36 VB NL	1" FIP X 3/4" MHT	60	102	62	ALL		

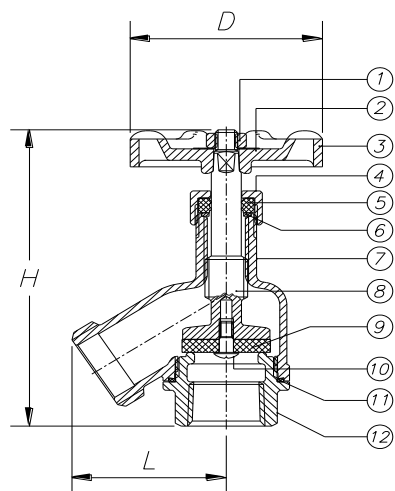
15.4. GARDEN VALVE

FEATURE

BRASS MATERIAL

FIP X MHT

LOW LEAD
AB 1953 



MATERIAL SPECIFICATION

NO	PARTS	BRASS REGULAR	BRASS NO LEAD
1	WHEEL NUT	HOT ROLLED (SAE 1010R)	HOT ROLLED (SAE 1010R)
2	NAME PLATE	ALUMINIUM (A1100)	ALUMINIUM (A1100)
3	ELLIPSE HANDLE	CAST IRON (JIS ZZ2202)	CAST IRON (JIS ZZ2202)
4	PACKING NUT	BRASS (C37700)	BRASS (C37700)
5	GLAND PACKING	RUBBER (NBR) SN-719F	RUBBER (NBR) SN-719F
6	WASHER	STAINLESS STEEL (304)	STAINLESS STEEL (304)
7	BODY	BRASS (C85700)	BRASS (C46400 MOD)
8	STEM	BRASS (C85700)	BRASS (C46400 MOD)
9	SEAT PACKING	RUBBER (NBR) SN-819F	RUBBER (NBR) SN-819F
10	SEAT SCREW	BRASS (C26000)	BRASS (C26000)
11	PACKING	FIBRE	FIBRE
12	BONNET	BRASS (C85700)	BRASS (C46400 MOD)

CERTIFIED UNDER	C CSA US, NSF / ANSI 61	NSF / ANSI 372, AB 1953
-----------------	-------------------------	-------------------------

ITEM NO.	SIZE	DIMENSION (mm)			PART NO.	QUANTITY	
		L	H	D		IB	OB


MB 34 / MB 34 NL	1/2" FIP X 3/4" MHT	44	89.2	54	ALL		
MB 35 / MB 35 NL	3/4" FIP X 3/4" MHT	44	90	54	ALL		
MB 36 / MB 36 NL	1 FIP X 3/4" MHT	44	92.2	54	ALL		

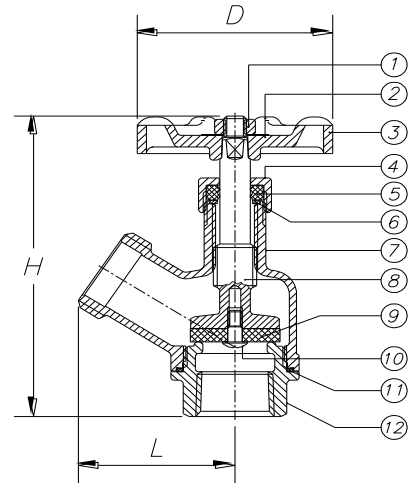
15.5. INVERTED GARDEN VALVES

FEATURE

BRASS MATERIAL

FIP X MHT

LOW LEAD
AB 1953 



MATERIAL SPECIFICATION

NO	PARTS	BRASS REGULAR	BRASS NO LEAD
1	WHEEL NUT	HOT ROLLED (SAE 1010R)	HOT ROLLED (SAE 1010R)
2	NAME PLATE	ALUMINIUM (A1100)	ALUMINIUM (A1100)
3	ELLIPSE HANDLE	CAST IRON (JIS ZZ2202)	CAST IRON (JIS ZZ2202)
4	PACKING NUT	BRASS (C37700)	BRASS (C37700)
5	GLAND PACKING	RUBBER (NBR) SN-719F	RUBBER (NBR) SN-719F
6	WASHER	STAINLESS STEEL (304)	STAINLESS STEEL (304)
7	BODY	BRASS (C85700)	BRASS (C46400 MOD)
8	STEM	BRASS (C85700)	BRASS (C46400 MOD)
9	SEAT PACKING	RUBBER (NBR) SN-819F	RUBBER (NBR) SN-819F
10	SEAT SCREW	BRASS (C26000)	BRASS (C26000)
11	PACKING	FIBRE	FIBRE
12	BONNET	BRASS (C85700)	BRASS (C46400 MOD)

CERTIFIED UNDER	C CSA US, NSF / ANSI 61	NSF / ANSI 372, AB 1953
-----------------	-------------------------	-------------------------

ITEM NO.	SIZE	DIMENSION (mm)			PART NO.	QUANTITY	
		L	H	D		IB	OB

MBI 34 / MBI 34 NL	1/2" FIP X 3/4" MHT	44	89.2	54	ALL		
MBI 35 / MBI 35 NL	3/4" FIP X 3/4" MHT	44	90	54	ALL		
MBI 36 / MBI 36 NL	1 FIP X 3/4" MHT	44	92.2	54	ALL		