

# 16. ANGLE VALVES

## 16.1. ANGLE VALVES

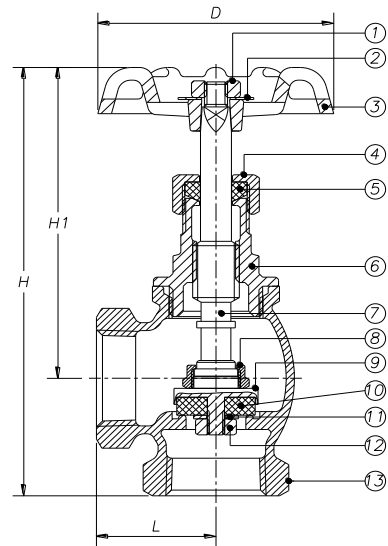


### FEATURE

BRASS MATERIAL

FIP X FIP

LOW LEAD  
AB 1953



### MATERIAL SPECIFICATION

NO	PARTS	BRASS REGULAR	BRASS NO LEAD	
1	WHELL NUT	HOT ROLLED ( SAE 1010R )	HOT ROLLED ( SAE 1010R )	
2	NAME PLATE	ALUMINIUM ( A1100 )	ALUMINIUM ( A1100 )	
3	HANDWHEEL	CAST IRON ( JIS ZZ2202 )	CAST IRON ( JIS ZZ2202 )	
4	CROSS HANDLE	BRASS ( C85700 )	BRASS ( C85700 )	
4	PACKING NUT	BRASS ( C37700 )	BRASS ( C37700 )	
5	GLAND PACKING	GRAPHITE ( LK 33 NAFG )	GRAPHITE ( LK 33 NAFG )	AV 2, 3
		TEFLON POLYFLON ( PTFE M-392 )	TEFLON POLYFLON ( PTFE M-392 )	AV 4, 5, 6, 7
6	BONNET	BRASS ( C85700 )	BRASS ( C46400 MOD )	
7	STEM	BRASS ( C37700 )	BRASS ( C46400 )	AV 3, 4
		BRASS ( C85700 )	BRASS ( C46400 MOD )	AV 5, 6, 7
8	LOCK NUT	BRASS ( C37700 )	BRASS ( C46400 )	
9	SEAT HOLDER	BRASS ( C37700 )	BRASS ( C46400 )	AV 3, 4
		BRASS ( C85700 )	BRASS ( C46400 MOD )	AV 5, 6, 7
10	SEAT PACKING	RUBBER (NBR) SN-819F	RUBBER (NBR) SN-819F	
11	WASHER	STAINLESS STEEL ( 304 )	STAINLESS STEEL ( 304 )	AV 5, 6, 7
12	SEAT SCREW	BRASS ( C26000 )	BRASS ( C26000 )	AV 2,
	SEAT NUT	BRASS ( C26000 )	BRASS ( C26000 )	AV 3, 4, 5, 6, 7
13	BODY	BRASS ( C85700 )	BRASS ( C46400 MOD )	
CERTIFIED UNDER			AB 1953	

ITEM NO.	SIZE	DIMENSION ( mm )				PART NO.	QUANTITY	
		D	H	H1	L		IB	OB

#### USED HANDWHEEL

AV 2 / AV 2 NL	1/2"	53	83	60	26.5	1, 2, 3, 4, 5, 6, 8, 10, 12, 13	10	100
AV 3 / AV 3 NL	3/4"	63	120	87	32	1, 2, 3, 4, 5, 6, 8, 9, 10, 11, 12, 13	10	60
AV 4 / AV 4 NL	1"	63	136	99.5	39.5	1, 2, 3, 4, 5, 6, 8, 9, 10, 11, 12, 13	5	30
AV 5 / AV 6 NL	1 1/4"	69	148.5	104	45.4	1, 2, 3, 4, 5, 6, 8, 9, 10, 11, 12, 13	5	20
AV 6 / AV 6 NL	1 1/2"	80	187	137.5	50	1, 2, 3, 4, 5, 6, 8, 9, 10, 11, 12, 13	4	16
AV 7 / AV 7 NL	2"	101	230	171.5	59.5	ALL	2	10

#### USED CROSS HANDLE

AV 2X / AV 2X NL	1/2"	53	83	60	26.5	1, 2, 3, 4, 5, 6, 8, 10, 12, 13	10	100
AV 3X / AV 3X NL	3/4"	63	120	87	32	1, 2, 3, 4, 5, 6, 8, 9, 10, 11, 12, 13	10	60
AV 4X / AV 4X NL	1"	63	136	99.5	39.5	1, 2, 3, 4, 5, 6, 8, 9, 10, 11, 12, 13	5	30
AV 5X / AV 5X NL	1 1/4"	69	148.5	104	45.4	1, 2, 3, 4, 5, 6, 8, 9, 10, 11, 12, 13	5	20
AV 6X / AV 6X NL	1 1/2"	80	187	137.5	50	1, 2, 3, 4, 5, 6, 8, 9, 10, 11, 12, 13	4	16
AV 7X / AV 7X NL	2"	101	230	171.5	59.5	ALL	2	10

## 16.2. ANGLE GLOBE VALVES

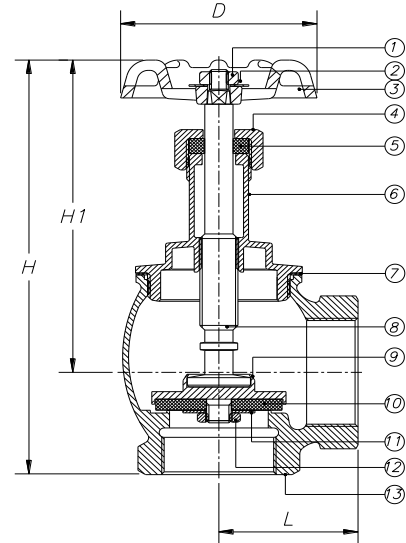


### FEATURE

BRASS & BRONZE MATERIAL

FIP X FIP

LOW LEAD  
AB 1953



### MATERIAL SPECIFICATION

NO	PARTS	BRASS REGULAR	BRONZE REGULAR	BRASS NO LEAD	BRONZE NO LEAD	
1	HANDLE NUT	HOT ROLLED ( SAE 1010R )	HOT ROLLED ( SAE 1010R )	HOT ROLLED ( SAE 1010R )	HOT ROLLED ( SAE 1010R )	
2	NAME PLATE	ALUMINIUM ( A1100 )	ALUMINIUM ( A1100 )	ALUMINIUM ( A1100 )	ALUMINIUM ( A1100 )	
3	HANDWHEEL	CAST IRON ( JIS ZZ2202 )	CAST IRON ( JIS ZZ2202 )	CAST IRON ( JIS ZZ2202 )	CAST IRON ( JIS ZZ2202 )	
	CROSS HANDLE	BRASS ( C85700 )	BRONZE ( C84400 ) BRONZE ( C83600 )	BRASS ( C85700 )	BRONZE ( C84400 ) BRONZE ( C83600 )	
4	PACKING NUT	BRASS ( C37700 )	BRASS ( C37700 )	BRASS ( C37700 )	BRASS ( C37700 )	
5	GLAND PACKING	RUBBER (NBR) SN-719F	RUBBER (NBR) SN-719F	RUBBER (NBR) SN-719F	RUBBER (NBR) SN-719F	
6	BONNET	BRASS ( C85700 )	BRONZE ( C84400 )	BRASS ( C46400 MOD )	BRASS ( C89844 MOD )	
			BRONZE ( C83600 )			
7	PACKING	FIBRE	FIBRE	FIBRE	FIBRE	
8	STEM	BRASS ( C37700 )	BRASS ( C37700 )	BRASS ( C46400 )	BRASS ( C46400 )	AV 9, 10
		BRASS ( C85700 )	BRONZE ( C84400 ) BRONZE ( C83600 )	BRASS ( C46400 MOD )	BRASS ( C89844 MOD )	
9	SEAT HOLDER	BRASS ( C37700 )	BRASS ( C37700 )	BRASS ( C46400 )	BRASS ( C46400 )	AV 9, 10
		BRASS ( C85700 )	BRONZE ( C84400 ) BRONZE ( C83600 )	BRASS ( C46400 MOD )	BRASS ( C89844 MOD )	
10	SEAT PACKING	RUBBER (NBR) SN-819F	RUBBER (NBR) SN-819F	RUBBER (NBR) SN-819F	RUBBER (NBR) SN-819F	
11	WASHER	STAINLESS STEEL ( 304 )	STAINLESS STEEL ( 304 )	STAINLESS STEEL ( 304 )	STAINLESS STEEL ( 304 )	AV 42, 43, 44
12	SEAT NUT	BRASS ( C37700 )	BRASS ( C37700 )	BRASS ( C46400 )	BRASS ( C46400 )	
13	BODY	BRASS ( C85700 )	BRONZE ( C84400 )	BRASS ( C46400 MOD )	BRASS ( C89844 MOD )	
			BRONZE ( C83600 )			
CERTIFIED UNDER				AB 1953	AB 1953	

ITEM NO.	SIZE	DIMENSION (mm)				PART NO.	QUANTITY	
		D	H	H1	L		IB	OB

#### USED HANDWHEEL

AV 9 / AV 9 NL	3/4"	42	122	88	34	1, 2, 3, 4, 5, 6, 7, 8, 9, 11, 12, 13	2	24
AV 10 / AV 10 NL	1"	42	136	96.5	42	1, 2, 3, 4, 5, 6, 7, 8, 9, 11, 12, 13	2	24
AV 42 / AV 42 NL	1 1/4"	69	177	125.5	52	ALL	2	10
AV 43 / AV 43 NL	1 1/2"	80	167.5	142	57.8	ALL	2	10
AV 44 / AV 44 NL	2"	101	228	165	67.2	ALL	2	10

#### USED CROSS HANDLE

AV 9X / AV 9X NL	3/4"	42	122	88	34	1, 2, 3, 4, 5, 6, 7, 8, 9, 11, 12, 13	2	24
AV 10X / AV 10X NL	1"	42	136	96.5	42	1, 2, 3, 4, 5, 6, 7, 8, 9, 11, 12, 13	2	24
AV 42X / AV 42X NL	1 1/4"	69	177	125.5	52	ALL	2	10
AV 43X / AV 43X NL	1 1/2"	80	167.5	142	57.8	ALL	2	10
AV 44X / AV 44X NL	2"	101	228	165	67.2	ALL	2	10

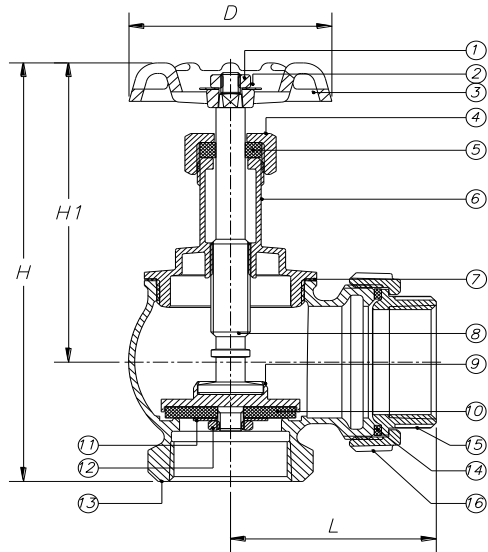
# 16.3. ANGLE GLOBE VALVES WITH UNIONS

## FEATURE

BRASS MATERIAL

FIP X FIP

LOW LEAD  
AB 1953



## MATERIAL SPECIFICATION

NO	PARTS	BRASS REGULAR	BRASS NO LEAD
1	WHEEL NUT	HOT ROLLED ( SAE 1010R )	HOT ROLLED ( SAE 1010R )
2	NAME PLATE	ALUMINIUM ( A1100 )	ALUMINIUM ( A1100 )
3	HANDWHEEL	CAST IRON ( JIS ZZ2202 )	CAST IRON ( JIS ZZ2202 )
	CROSS HANDLE	BRONZE ( C84400 )	BRONZE ( C84400 )
4	PACKING NUT	BRASS ( C85700 )	BRASS ( C85700 )
5	GLAND PACKING	RUBBER (NBR) SN-719F	RUBBER (NBR) SN-719F
6	BONNET	BRASS ( C85700 )	BRASS ( C46400 MOD )
7	PACKING	FIBRE	FIBRE
8	STEM	BRASS ( C85700 )	BRASS ( C46400 MOD )
9	SEAT HOLDER	BRASS ( C85700 )	BRASS ( C46400 MOD )
10	SEAT PACKING	RUBBER (NBR) SN-819F	RUBBER (NBR) SN-819F
11	WASHER	STAINLESS STEEL ( 304 )	STAINLESS STEEL ( 304 )
12	SEAT NUT	BRASS ( C26000 )	BRASS ( C26000 )
13	BODY	BRASS ( C85700 )	BRASS ( C46400 MOD )
14	PACKING	RUBBER (NBR) SN-719F	RUBBER (NBR) SN-719F
15	NIPPLE	BRASS ( C85700 )	BRASS ( C46400 MOD )
16	PACKING NUT	BRASS ( C85700 )	BRASS ( C85700 )
CERTIFIED UNDER			AB 1953

ITEM NO.	SIZE	DIMENSION (mm)				PART NO.	QUANTITY	
		D	H	H1	L		IB	OB
<b>USED HANDWHEEL</b>								
AVU 42 / AVU 42 NL	1 1/4"	69	177	127	82.5	ALL		
AVU 43 / AVU 43 NL	1 1/2"	80	197.5	143	92	ALL		
AVU 44 / AVU 44 NL	2"	101	228	165	101	ALL		
<b>USED CROSS HANDLE</b>								
AVU 42X / AVU 42X NL	1 1/4"	44	176	126	82.5	ALL		
AVU 43X / AVU 43X NL	1 1/2"	44	192.5	138	92	ALL		
AVU 44X / AVU 44X NL	2"	44	215	152	101	ALL		

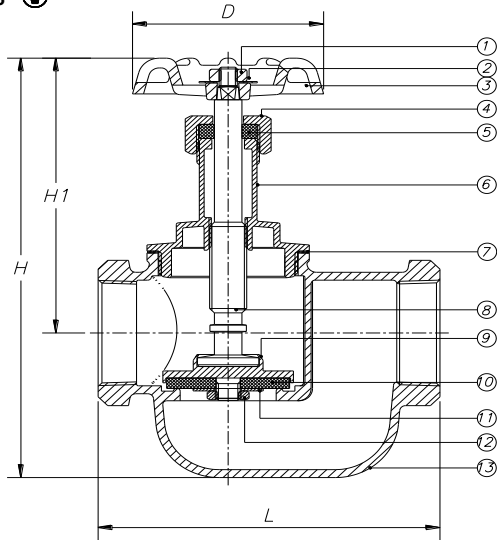
## 16.4. STRAIGHT GLOBE VALVES

### FEATURE

BRASS MATERIAL

FIP X FIP

LOW LEAD  
AB 1953



### MATERIAL SPECIFICATION

NO	PARTS	BRASS REGULAR	BRASS NO LEAD
1	WHEEL NUT	HOT ROLLED ( SAE 1010R )	HOT ROLLED ( SAE 1010R )
2	NAME PLATE	ALUMINIUM ( A1100 )	ALUMINIUM ( A1100 )
3	HANDWHEEL	CAST IRON ( JIS ZZ2202 )	CAST IRON ( JIS ZZ2202 )
	CROSS HANDLE	BRASS ( C84400 )	BRASS ( C84400 )
4	PACKING NUT	BRASS ( C85700 )	BRASS ( C85700 )
5	GLAND PACKING	RUBBER (NBR) SN-719F	RUBBER (NBR) SN-719F
6	BONNET	BRASS ( C85700 )	BRASS ( C46400 MOD )
7	PACKING	FIBRE	FIBRE
8	STEM	BRASS ( C85700 )	BRASS ( C46400 MOD )
9	SEAT HOLDER	BRASS ( C85700 )	BRASS ( C46400 MOD )
10	SEAT PACKING	RUBBER (NBR) SN-819F	RUBBER (NBR) SN-819F
11	WASHER	STAINLESS STEEL ( 304 )	STAINLESS STEEL ( 304 )
12	SEAT NUT	BRASS ( C37700 )	BRASS ( C46400 )
13	BODY	BRASS ( C85700 )	BRASS ( C46400 MOD )
CERTIFIED UNDER			AB 1953

ITEM NO.	SIZE	DIMENSION (mm)				PART NO.	QUANTITY	
		D	H	H1	L		IB	OB

**USED HANDWHEEL**

AVS 42 / AVS 42 NL	1 1/4"	64	182	129	119.3	ALL	2	18
AVS 43 / AVS 43 NL	1 1/2"	80	213	146	146.7	ALL	2	12
AVS 44 / AVS 44 NL	2"	101	244	162	178	ALL	1	6

**USED CROSS HANDLE**

AVS 42X / AVS 42X NL	1 1/4"	44	181	128	119.3	ALL	2	18
AVS 43X / AVS 43X NL	1 1/2"	44	208	141	146.7	ALL	2	12
AVS 44X / AVS 44X NL	2"	44	231	149	178	ALL	1	6



PT. EVER AGE VALVES METALS  
GRESIK - INDONESIA

PHONE : 62-31-8976388  
62-31-8978388  
62-31-8972988

FAX : 62-31-8977288/62-31-8982899  
E-MAIL : everagevalvesmetals@gmail.com  
Website : www.everagevalves.com