

17. FROST FREE SILLCOCKS

17.1. FROST FREE SILLCOCKS - ANTI SIPHON



FEATURE

BRASS MATERIAL

CHROME PLATED

1/2" MIP & 1/2" FCXC X 3/4" MHT

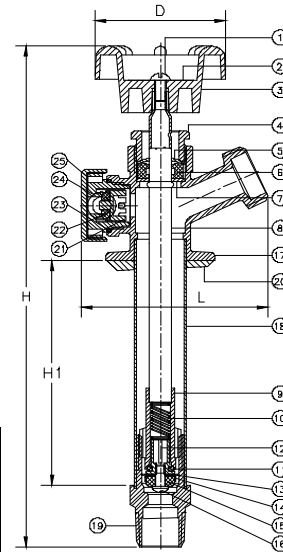
3/4" MIP & 1/2" FIP X 3/4" MHT

1/2" PEX (ASTM F 1807) X 3/4" MHT

MATERIAL SPECIFICATION

NO	PARTS	BRASS REGULAR	BRASS NO LEAD
1	HANDLE BOLT	BRASS (C26000)	BRASS (C26000)
2	NAME PLATE	ALUMINIUM (A1100)	ALUMINIUM (A1100)
3	HANDWHEEL	ZINC (Z30A)	ZINC (Z30A)
4	BONNET	BRASS (C37700)	BRASS (C37700)
5	WASHER	STAINLESS STEEL (304)	STAINLESS STEEL (304)
6	PACKING	RUBBER (NBR) SN-719F	RUBBER (NBR) SN-719F
7	WASHER	STAINLESS STEEL (304)	STAINLESS STEEL (304)
8	STEM PIPE	BRASS (COPPER ALLOY) Nos.C27000	BRASS (COPPER ALLOY) Nos.C27000
9	STEM	BRASS (C37700)	BRASS (C46400)
10	SPRING	STAINLESS STEEL (304)	STAINLESS STEEL (304)
11	O-RING	RUBBER (NBR) SN-719F	RUBBER (NBR) SN-719F
12	SPRING SEAT	BRASS (C37700)	BRASS (C46400)
13	FLAPPER	RUBBER (NBR) SN-719F	RUBBER (NBR) SN-719F
14	SEAT HOLDER	BRASS (C26000)	BRASS (C26000)
15	SEAT PACKING	RUBBER (NBR) SN-819F	RUBBER (NBR) SN-819F
16	SEAT SCREW	BRASS (C26000)	BRASS (C26000)
17	BODY	BRASS (C85700)	BRASS (C46400 MOD)
18	FLOW PIPE	BRASS (COPPER ALLOY) Nos.C27000	BRASS (COPPER ALLOY) Nos.C27000
19	NIPPLE	BRASS (C37700)	BRASS (C46400)
20	FLANGE PACKING	POM M90 FORMOCON FM090 CF500P	POM M90 FORMOCON FM090 CF500P
21	FLOATING	POM M90 FORMOCON FM090 CF500P	POM M90 FORMOCON FM090 CF500P
22	FLOATING PACKING	RUBBER (NBR) SN-719F	RUBBER (NBR) SN-719F
23	O RING	RUBBER (NBR) SN-719F	RUBBER (NBR) SN-719F
24	PACKING BOLT	POM M90 FORMOCON FM090 CF500P	POM M90 FORMOCON FM090 CF500P
25	CAP	BRASS (C37700)	BRASS (C46400)

CERTIFIED UNDER	C UPC, C CSA US, ASSE,	NSF / ANSI 372, AB 1953
	NSF / ANSI 61	



NSF / ANSI 61
NSF / ANSI 372
LOW LEAD
AB 1953



ITEM NO.	SIZE	DIMENSIONS (mm)					PART NO.	QUANTITY	
		LENGTH	L	H	D	H1		H-PEX	IB
FFA 2 / FFA 2 NL	2"	78	168.5	56	49.7	160	ALL	1	24
FFA 4 / FFA 4 NL	4"	78	219.5	56	100.7	219	ALL	1	24
FFA 6 / FFA 6 NL	6"	78	270.5	56	151.7	270	ALL	1	24
FFA 8 / FFA 8 NL	8"	78	321.5	56	202.7	321	ALL	1	24
FFA 10 / FFA 10 NL	10"	78	372.5	56	253.7	372	ALL	1	24
FFA 12 / FFA 12 NL	12"	78	423.5	56	304.7	423	ALL	1	24
FFA 14 / FFA 14 NL	14"	78	474.5	56	355.7	474	ALL	1	24
FFA 16 / FFA 16 NL	16"	78	525.5	56	406.7	525	ALL	1	24
FFA 18 / FFA 18 NL	18"	78	576.5	56	457.7	576	ALL	1	24
FFA 20 / FFA 20 NL	20"	78	627.5	56	508.7	627	ALL	1	24
FFA 22 / FFA 22 NL	22"	78	678.5	56	559.7	678	ALL	1	24
FFA 24 / FFA 24 NL	24"	78	729.5	56	610.7	729	ALL	1	24

ITEM SERIES	DESCRIPTION SERIES
FFA 4,6,8,10,12,14,16,18,20,22,24	1/2" MIP & 1/2" FCXC X 3/4" MHT
FFA 5,7,9,11,13,15,17,19,21,23,25	3/4" MIP & 1/2" FIP X 3/4" MHT
FFA 4P,6P,8P,10P,12P,14P,16P,18P,20P,22P,24P	1/2" PEX X 3/4" MHT

17.2. FROST FREE SILLCOCKS WITH PEX REINFORCING ANTI SIPHON



FEATURE

BRASS MATERIAL

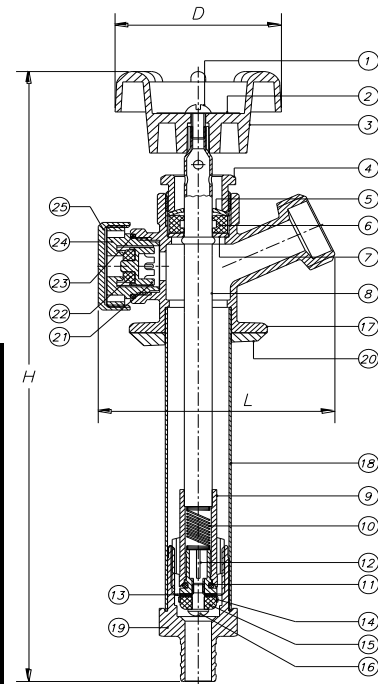
CHROME PLATED

1/2" PEX (ASTM F 1960) X 3/4" MHT

MATERIAL SPECIFICATION

NO	PARTS	BRASS REGULAR	BRASS NO LEAD
1	HANDLE BOLT	BRASS (C26000)	BRASS (C26000)
2	NAME PLATE	ALUMINIUM (A1100)	ALUMINIUM (A1100)
3	HANDWHEEL	ZINC (Z30A)	ZINC (Z30A)
4	BONNET	BRASS (C37700)	BRASS (C37700)
5	WASHER	STAINLESS STEEL (304)	STAINLESS STEEL (304)
6	PACKING	RUBBER (NBR) SN-719F	RUBBER (NBR) SN-719F
7	WASHER	STAINLESS STEEL (304)	STAINLESS STEEL (304)
8	STEM PIPE	BRASS (COPPER ALLOY) Nos.C27000	BRASS (COPPER ALLOY) Nos.C27000
9	STEM	BRASS (C37700)	BRASS (C46400)
10	SPRING	STAINLESS STEEL (304)	STAINLESS STEEL (304)
11	O-RING	RUBBER (NBR) SN-719F	RUBBER (NBR) SN-719F
12	SPRING SEAT	BRASS (C37700)	BRASS (C46400)
13	FLAPPER	RUBBER (NBR) SN-719F	RUBBER (NBR) SN-719F
14	SEAT HOLDER	BRASS (C26000)	BRASS (C26000)
15	SEAT PACKING	RUBBER (NBR) SN-819F	RUBBER (NBR) SN-819F
16	SEAT SCREW	BRASS (C26000)	BRASS (C26000)
17	BODY	BRASS (C85700)	BRASS (C46400 MOD)
18	FLOW PIPE	BRASS (COPPER ALLOY) Nos.C27000	BRASS (COPPER ALLOY) Nos.C27000
19	NIPPLE	BRASS (C37700)	BRASS (C46400)
20	FLANGE PACKING	POM M90 FORMOCON FM090 CF500P	POM M90 FORMOCON FM090 CF500P
21	FLOATING	POM M90 FORMOCON FM090 CF500P	POM M90 FORMOCON FM090 CF500P
22	FLOATING PACKING	RUBBER (NBR) SN-719F	RUBBER (NBR) SN-719F
23	O RING	RUBBER (NBR) SN-719F	RUBBER (NBR) SN-719F
24	PACKING BOLT	POM M90 FORMOCON FM090 CF500P	POM M90 FORMOCON FM090 CF500P
25	CAP	BRASS (C37700)	BRASS (C46400)

CERTIFIED UNDER AB 1953



LOW LEAD
AB 1953

ITEM NO.	SIZE LENGTH	DIMENSIONS (mm)			PART NO.	QUANTITY	
		L	H	D		IB	OB

FFA 2PW / FFA 2PW NL	2"	78	169	56	ALL	1	24
FFA 4PW / FFA 4PW NL	4"	78	220	56	ALL	1	24
FFA 6PW / FFA 6PW NL	6"	78	271	56	ALL	1	24
FFA 8PW / FFA 8PW NL	8"	78	322	56	ALL	1	24
FFA 10PW / FFA 10PW NL	10"	78	373	56	ALL	1	24
FFA 12PW / FFA 12PW NL	12"	78	425	56	ALL	1	24
FFA 14PW / FFA 14PW NL	14"	78	476	56	ALL	1	24
FFA 16PW / FFA 16PW NL	16"	78	527	56	ALL	1	24
FFA 18PW / FFA 18PW NL	18"	78	578	56	ALL	1	24
FFA 20PW / FFA 20PW NL	20"	78	629	56	ALL	1	24
FFA 22PW / FFA 22PW NL	22"	78	680	56	ALL	1	24
FFA 24PW / FFA 24PW NL	24"	78	731	56	ALL	1	24

17.3. STANDARD FROST FREE SILLCOCKS



FEATURE

BRASS MATERIAL

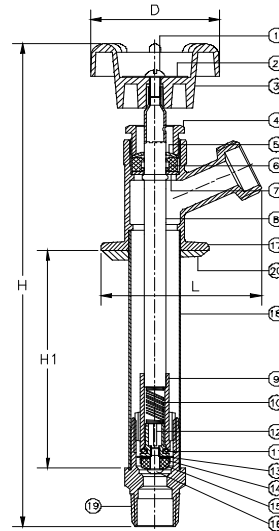
CHROME PLATED

1/2" MIP & 1/2" FCXC X 3/4" MHT

3/4" MIP X 1/2" FIP X 3/4" MHT

1/2" PEX (ASTM F 1807) X 3/4" MHT

LOW LEAD
AB 1953



MATERIAL SPECIFICATION

NO	PARTS	BRASS REGULAR	BRASS NO LEAD
1	HANDLE BOLT	BRASS (C26000)	BRASS (C26000)
2	NAME PLATE	ALUMINIUM (A1100)	ALUMINIUM (A1100)
3	HANDWHEEL	ZINC (Z30A)	ZINC (Z30A)
4	BONNET	BRASS (C37700)	BRASS (C37700)
5	WASHER	STAINLESS STEEL (304)	STAINLESS STEEL (304)
6	PACKING	RUBBER (NBR) SN-719F	RUBBER (NBR) SN-719F
7	WASHER	STAINLESS STEEL (304)	STAINLESS STEEL (304)
8	STEM PIPE	BRASS (COPPER ALLOY) Nos.C27000	BRASS (COPPER ALLOY) Nos.C27000
9	STEM	BRASS (C37700)	BRASS (C46400)
10	SPRING	STAINLESS STEEL (304)	STAINLESS STEEL (304)
11	O-RING	RUBBER (NBR) SN-719F	RUBBER (NBR) SN-719F
12	SPRING SEAT	BRASS (C37700)	BRASS (C46400)
13	FLAPPER	RUBBER (NBR) SN-719F	RUBBER (NBR) SN-719F
14	SEAT HOLDER	BRASS (C26000)	BRASS (C26000)
15	SEAT PACKING	RUBBER (NBR) SN-819F	RUBBER (NBR) SN-819F
16	SEAT SCREW	BRASS (C26000)	BRASS (C26000)
17	BODY	BRASS (C85700)	BRASS (C46400 MOD)
18	FLOW PIPE	BRASS (COPPER ALLOY) Nos.C27000	BRASS (COPPER ALLOY) Nos.C27000
19	NIPPLE	BRASS (C37700)	BRASS (C46400)
20	FLANGE PACKING	POM M90 FORMOCON FM090 CF500P	POM M90 FORMOCON FM090 CF500P
CERTIFIED UNDER		C CSA US	AB 1953

ITEM NO.	SIZE	DIMENSIONS (mm)					PART NO.	QUANTITY	
		LENGTH	L	H	D	H1		H-PEX	IB
FF 4 / FF 4 NL	4"	60	219.5	56	100.7	219	ALL	2	40
FF 6 / FF 6 NL	6"	60	270.5	56	151.7	270	ALL	2	40
FF 8 / FF 8 NL	8"	60	321.5	56	202.7	321	ALL	2	40
FF 10 / FF 10 NL	10"	60	372.5	56	253.7	372	ALL	2	40
FF 12 / FF 12 NL	12"	60	423.5	56	304.7	423	ALL	2	40
FF 14 / FF 14 NL	14"	60	474.5	56	355.7	474	ALL	2	40
FF 16 / FF 16 NL	16"	60	525.5	56	406.7	525	ALL	2	40
FF 18 / FF 18 NL	18"	60	576.5	56	457.7	576	ALL	2	40
FF 20 / FF 20 NL	20"	60	627.5	56	508.7	627	ALL	2	40
FF 22 / FF 22 NL	22"	60	678.5	56	559.7	678	ALL	2	40
FF 24 / FF 24 NL	24"	60	729.5	56	610.7	729	ALL	2	40

ITEM SERIES	DESCRIPTION SERIES
FF 4, 6, 8, 10, 12, 14, 16, 18, 20, 22, 24	1/2" MIP & 1/2" FCXC X 3/4" MHT
FF 5, 7, 9, 11, 13, 15, 17, 19, 21, 23, 25	3/4" MIP & 1/2" FIP X 3/4" MHT
FF 4P, 6P, 8P, 10P, 12P, 14P, 16P, 18P, 20P, 22P, 24P	1/2" PEX X 3/4" MHT

17.4. CANADIAN STYLE FROST FREE SILLCOCKS



FEATURE

BRASS MATERIAL

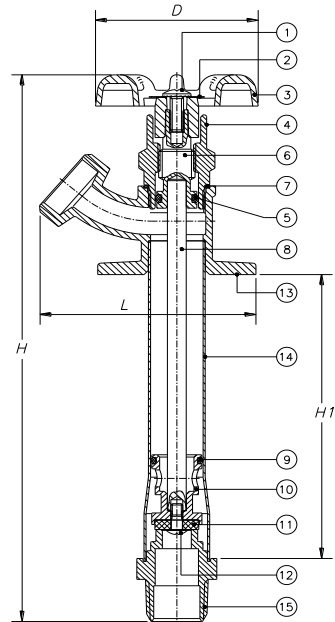
BRASS FINISH

1/2" MIP & 1/2" FCXC X 3/4" MHT

3/4" MIP X 1/2" FIP X 3/4" MHT

1/2" PEX (ASTM F 1807) X 3/4" MHT

LOW LEAD
AB 1953



MATERIAL SPECIFICATION

NO	PARTS	BRASS REGULAR	BRASS NO LEAD
1	HANDLE BOLT	BRASS (C26000)	BRASS (C26000)
2	NAME PLATE	ALUMINIUM (A1100)	ALUMINIUM (A1100)
3	HANDWHEEL	ZINC (Z30A)	ZINC (Z30A)
4	BONNET	BRASS (C37700)	BRASS (C37700)
5	O RING	RUBBER (NBR) SN-719F	RUBBER (NBR) SN-719F
6	STEM	BRASS (C37700)	BRASS (C46400)
7	PACKING	FIBRE	FIBRE
8	STEM STICK	BRASS (C37700)	BRASS (C46400)
9	O RING	RUBBER (NBR) SN-719F	RUBBER (NBR) SN-719F
10	SEAT HOLDER	BRASS (C26000)	BRASS (C26000)
11	SEAT PACKING	RUBBER (NBR) SN-819F	RUBBER (NBR) SN-819F
12	SEAT SCREW	BRASS (C26000)	BRASS (C26000)
13	BODY	BRASS (C85700)	BRASS (C46400 MOD)
14	PIPE FLOW	BRASS (COPPER ALLOY) Nos.27000	BRASS (COPPER ALLOY) Nos.27000
15	NIPPLE	BRASS (C37700)	BRASS (C46400)
CERTIFIED UNDER		C CSA US	AB 1953

ITEM NO.	SIZE	DIMENSIONS (mm)					PART NO.	QUANTITY	
		LENGTH	D	H	H1	H-PEX		L	IB
FFR 4 / FFR 4 NL	4"	54.5	195.5	101	196	72	ALL	2	40
FFR 6 / FFR 6 NL	6"	54.5	246.5	152	247	72	ALL	2	40
FFR 8 / FFR 8 NL	8"	54.5	297.5	203	298	72	ALL	2	40
FFR 10 / FFR 10 NL	10"	54.5	348.5	254	349	72	ALL	2	40
FFR 12 / FFR 12 NL	12"	54.5	399.5	305	400	72	ALL	2	40
FFR 14 / FFR 14 NL	14"	54.5	450.5	356	451	72	ALL	2	40
FFR 16 / FFR 16 NL	16"	54.5	501.5	402	502	72	ALL	2	40
FFR 18 / FFR 18 NL	18"	54.5	552.5	458	553	72	ALL	2	40
FFR 20 / FFR 20 NL	20"	54.5	603.5	509	604	72	ALL	2	40
FFR 22 / FFR 22 NL	22"	54.5	654.5	560	655	72	ALL	2	40
FFR 24 / FFR 24 NL	24"	54.5	705.5	611	706	72	ALL	2	40

ITEM SERIES	DESCRIPTION SERIES
FFR 4, 6, 8, 10, 12, 14, 16, 18, 20, 22, 24	1/2" MIP & 1/2" FCXC X 3/4" MHT
FFR 5, 7, 9, 11, 13, 15, 17, 19, 21, 23, 25	3/4" MIP & 1/2" FIP X 3/4" MHT
FFR 4P, 6P, 8P, 10P, 12P, 14P, 16P, 18P, 20P, 22P, 24P	1/2" PEX X 3/4" MHT



PT. EVER AGE VALVES METALS
GRESIK - INDONESIA

PHONE : 62-31-8976388
62-31-8978388
62-31-8972988

FAX : 62-31-8977288/62-31-8982899
E-MAIL : everagevalvesmetals@gmail.com
Website : www.everagevalves.com