

18. VACUUM BREAKERS

18.1. MANUAL DRAINING VACUUM BREAKER

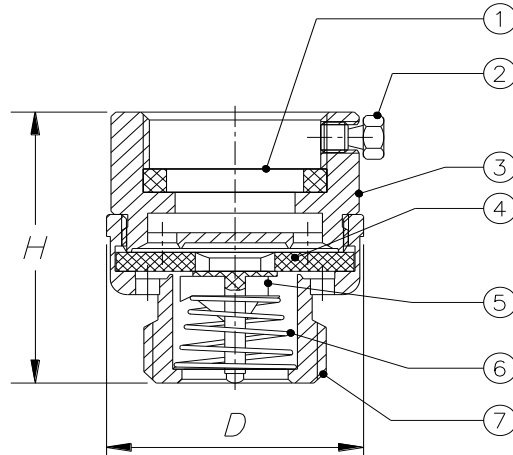


FEATURE

BRASS MATERIAL

FHT X MHT

ASSE 1011 APPROVED



MATERIAL SPECIFICATION

NO.	PARTS	BRASS REGULAR	BRASS NO LEAD
1	PACKING	RUBBER (NBR) SN-719F	RUBBER (NBR) SN-719F
2	BOLT	STAINLESS STEEL (304)	STAINLESS STEEL (304)
		BRASS (C37700)	BRASS (C37700)
3	HOSE BONNET	BRASS (C37700)	BRASS (C46400)
4	PACKING	RUBBER (NBR) SN-719F	RUBBER (NBR) SN-719F
5	SPRING SEAT	POM M90 FORMOCON FM090 CF500P	POM M90 FORMOCON FM090 CF500P
6	SPRING	STAINLESS STEEL (304)	STAINLESS STEEL (304)
7	HOSE BODY	BRASS (C37700)	BRASS (C46400)
CERTIFIED UNDER		C UPC , ASSE	AB 1953

ITEM NO	SIZE	DIMENSION (mm)		PART NO.	QUANTITY	
		H	D		IB	OB
VB 1 / VB 1 NL	3/4" FHT X 3/4" MHT	43	37.5	ALL	10	100
VB 6 / VB 6 NL	3/4" FHT X 3/4" MHT	33.9	33.4	ALL	10	100

18.2. SELF DRAINING VACUUM BREAKER

FEATURE

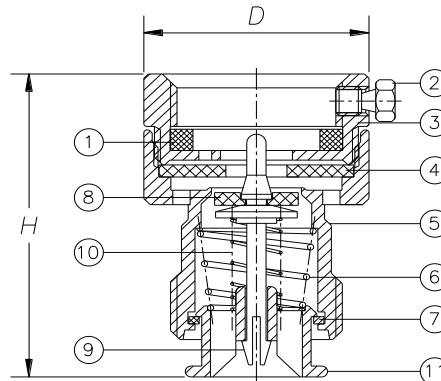
LOW LEAD
AB 1953



BRASS MATERIAL

FHT X MHT

ASSE 1011 APPROVED



MATERIAL SPECIFICATION

NO.	PARTS	BRASS REGULAR	BRASS NO LEAD
1	PACKING	RUBBER (NBR) SN-719F	RUBBER (NBR) SN-719F
2	BOLT	BRASS (C37700)	BRASS (C37700)
		STAINLESS STEEL (304)	STAINLESS STEEL (304)
3	HOSE BONNET	BRASS (C37700)	BRASS (C46400)
4	PACKING	RUBBER (NBR) SN-719F	RUBBER (NBR) SN-719F
5	HOSE BODY	BRASS (C37700)	BRASS (C46400)
6	SPRING	STAINLESS STEEL (304)	STAINLESS STEEL (304)
7	SNAP RING	POM M90 FORMOCON FM090 CF500P	POM M90 FORMOCON FM090 CF500P
8	PACKING	RUBBER (NBR) SN-719F	RUBBER (NBR) SN-719F
9	SPRING SEAT	POM M90 FORMOCON FM090 CF500P	POM M90 FORMOCON FM090 CF500P
10	SPRING	STAINLESS STEEL (304)	STAINLESS STEEL (304)
11	KNOB	POM M90 FORMOCON FM090 CF500P	POM M90 FORMOCON FM090 CF500P
CERTIFIED UNDER		C UPC, ASSE	AB 1953

ITEM NO	SIZE	DIMENSION (mm)		PART NO.	QUANTITY	
		H	D		IB	OB
VB 2 / VB 2 NL	3/4" FHT X 3/4" MHT	50	35	ALL	10	100

18.3. DOUBLE CHECK BACKFLOW PREVENTER

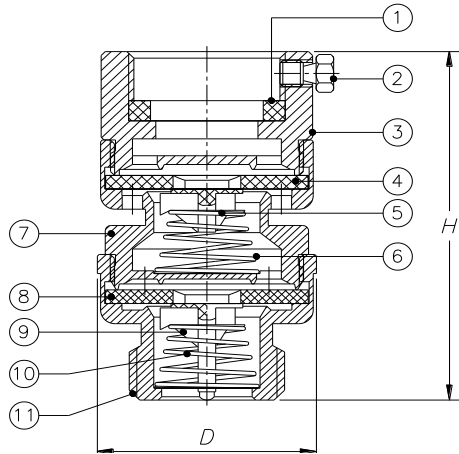
FEATURE



BRASS MATERIAL

CHROME BRASS

ASSE 1052 APPROVED



MATERIAL SPECIFICATION

NO.	PARTS	BRASS REGULAR	BRASS NO LEAD
1	PACKING	RUBBER (NBR) SN-719F	RUBBER (NBR) SN-719F
2	BOLT	BRASS (C37700) STAINLESS STEEL (304)	BRASS (C37700) STAINLESS STEEL (304)
3	HOSE BONNET	BRASS (C37700)	BRASS (C37700)
4	PACKING	RUBBER (NBR) SN-719F	RUBBER (NBR) SN-719F
5	SPRING SEAT	POM M90 FORMOCON FM090 CF500P	POM M90 FORMOCON FM090 CF500P
6	SPRING	STAINLESS STEEL (304)	STAINLESS STEEL (304)
7	MIDDLE BODY	BRASS (C37700)	BRASS (C37700)
8	PACKING	RUBBER (NBR) SN-719F	RUBBER (NBR) SN-719F
9	SPRING SEAT	POM M90 FORMOCON FM090 CF500P	POM M90 FORMOCON FM090 CF500P
10	SPRING	STAINLESS STEEL (304)	STAINLESS STEEL (304)
11	HOSE BODY	BRASS (C37700)	BRASS (C37700)
CERTIFIED UNDER		C UPC, ASSE	AB 1953

ITEM NO	SIZE	DIMENSION (mm)		PART NO.	QUANTITY	
		H	D		IB	OB
VB 3 / VB 3 NL	3/4" FHT X 3/4" MHT	37.5	64	ALL	6	72



PT. EVER AGE VALVES METALS
GRESIK - INDONESIA

PHONE : 62-31-8976388
62-31-8978388
62-31-8972988

FAX : 62-31-8977288/62-31-8982899
E-MAIL : everagevalvesmetals@gmail.com
Website : www.everagevalves.com

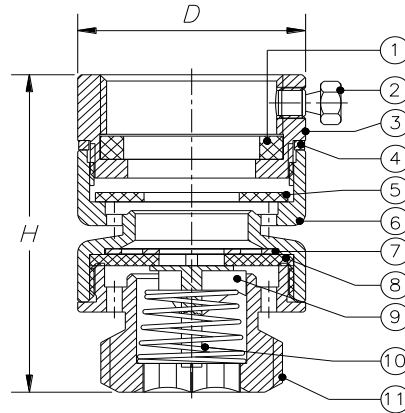
18.4. AUTOMATIC SELF DRAINING VACUUM BREAKER

FEATURE

BRASS MATERIAL

ASSE 1011 APPROVED

LOW LEAD
AB 1953



MATERIAL SPECIFICATION

NO.	PARTS	BRASS REGULAR	BRASS NO LEAD
1	PACKING	RUBBER (NBR) SN-719F	RUBBER (NBR) SN-719F
2	BOLT	BRASS (C37700)	BRASS (C37700)
		STAINLESS STEEL (304)	STAINLESS STEEL (304)
3	HOSE BONNET	BRASS (C37700)	BRASS (C46400)
4	PACKING	POM M90 FORMOCON FM090 CF500P	POM M90 FORMOCON FM090 CF500P
5	PACKING	RUBBER (NBR) SN-719F	RUBBER (NBR) SN-719F
6	MIDDLE BODY	BRASS (C37700)	BRASS (C46400)
7	WASHER	BRASS (C26000)	BRASS (C26000)
8	PACKING	RUBBER (NBR) SN-719F	RUBBER (NBR) SN-719F
9	SPRING SEAT	POM M90 FORMOCON FM090 CF500P	POM M90 FORMOCON FM090 CF500P
10	SPRING	STAINLESS STEEL (304)	STAINLESS STEEL (304)
11	HOSE BODY	BRASS (C37700)	BRASS (C46400)
CERTIFIED UNDER		C UPC, ASSE	AB 1953

ITEM NO	SIZE	DIMENSION (mm)		PART NO.	QUANTITY	
		H	D		IB	OB
VB 4 / VB 4 NL	3/4" FHT X 3/4" MHT	51	33.5	ALL	6	72
VB 4HPS / VB 4HPS NL	3/4" FHT X 3/4" NPS	51	33.5	ALL	6	72