

19. "DWV" CONNECTION

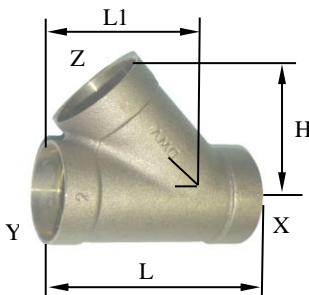
FEATURE

BRONZE MATERIAL

MATERIAL SPECIFICATION

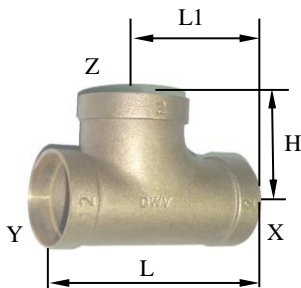
NO	PART	BRASS REGULAR	BRONZE REGULAR
1	BODY	BRASS (C85700)	BRONZE (C84400) BRONZE (C83600)
CERTIFIED UNDER			AB 1953

19.1. 45° TEE REDUCING "DWV" (FCXC X FCXC X FCXC)



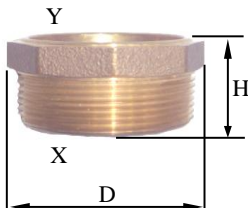
ITEM NO.	SIZE			DIMENSION (mm)			QUANTITY	
	X	Y	Z	L	H	L1	IB	OB
TY 555 / TY 555 NL	1 1/4"FCXC	1 1/4"FCXC	1 1/4"FCXC	82.8	58.5	64.5	10	70
TY 666 / TY 666 NL	1 1/2"FCXC	1 1/2"FCXC	1 1/2"FCXC	91	63.3	67	5	60
TY 777 / TY 777 NL	2"FCXC	2"FCXC	2"FCXC	80.5	42.4	85	1	40
TY 776 / TY 776 NL	2"FCXC	2"FCXC	1 1/2"FCXC	100	68.5	77.1	1	50
TY 665 / TY 665 NL	1 1/2"FCXC	1 1/2"FCXC	1 1/4"CXC	89.5	61.9	65.8		

19.2. TEE REDUCING "DWV" (FCXC X FCXC X FCXC)



ITEM NO.	SIZE			DIMENSION (mm)			QUANTITY	
	X	Y	Z	L	H	L1	IB	OB
T 555 / T 555 NL	1 1/4"FCXC	1 1/4"FCXC	1 1/4"FCXC	74	42.7	29.5	5	100
T 666 / T 666 NL	1 1/2"FCXC	1 1/2"FCXC	1 1/2"FCXC	78.5	47	35	5	60
T 656 / T 656 NL	1 1/2"FCXC	1 1/4"FCXC	1 1/2"FCXC	80.5	49	33.8	5	60
T 766 / T 766 NL	2"FCXC	1 1/2"FCXC	1 1/2"FCXC	84	50.8	34.1	1	50
T 767 / T 767 NL	2"FCXC	1 1/2"FCXC	2"FCXC	105	66	38.5	1	40
T 776 / T 776 NL	2"FCXC	2"FCXC	1 1/2"FCXC	80	54.5	34	1	40
T 777 / T 777 NL	2"FCXC	2"FCXC	2"FCXC	110	63	46	5	40
T 965 / T 965 NL	3"FCXC	1 1/2"FCXC	1 1/4"FCXC	112.7	23	69.7	1	36
T 775 / T 775 NL	2"FCXC	2"FCXC	1 1/4"CXC	86	55.8	50.2		

19.3. BUSHING ADAPTER "DWV" (MIP X FCXC)



ITEM NO.	SIZE			DIMENSION (mm)			QUANTITY	
	X	Y	Z	L	H	D	IB	OB
BS 5M5 / BS 5M5 NL	1 1/4"MIP	1 1/4"FCXC	-	-	28	42.3		
BS 6M6 / BS 6M6 NL	1 1/2"MIP	1 1/2"FCXC	-	-	30	52.6	10	200
BS 7F7 / BS 7F7 NL	2"FIP	2"FCXC	-	-	35	67.8		

19. "DWV" CONNECTION

FEATURE

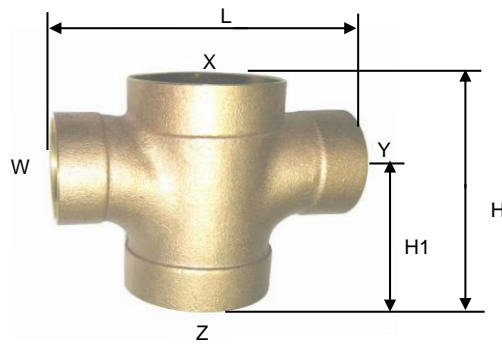
BRASS & BRONZE MATERIAL

MATERIAL SPECIFICATION

NO	PART	BRASS REGULAR	BRONZE REGULAR
1	BODY	BRASS (C85700)	BRONZE (C84400) BRONZE (C83600)
CERTIFIED UNDER			AB 1953

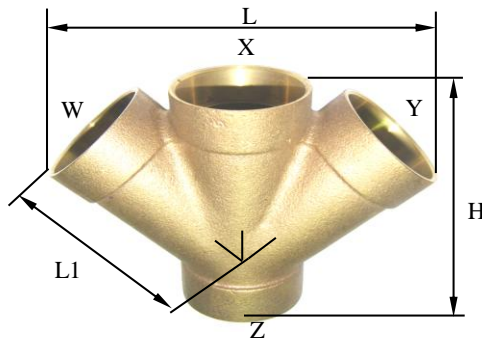
19.4. TEE REDUCING "DWV" (FCXC X FCXC X FCXC X FCXC)

ITEM NO.	SIZE				DIMENSION (mm)			QUANTITY	
	W	X	Y	Z	L	H	H1	IB	OB
TT 7676 / TT 7676 NL	1 1/2"FCXC	2"FCXC	1 1/2"FCXC	2"FCXC	113.4	89	53.3	1	25
TT 7777 / TT 7777 NL	2"FCXC	2"FCXC	2"FCXC	2"FCXC	127.6	105.7	63.7	1	20



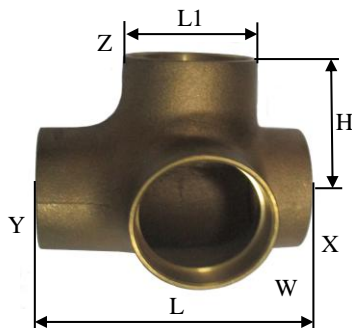
19.5. TEE REDUCING "DWV" (FCXC X FCXC X FCXC X FCXC)

ITEM NO.	SIZE				DIMENSION (mm)			QUANTITY	
	W	X	Y	Z	L	L1	H	IB	OB
YY 6666 / YY 6666 NL	1 1/2"FCXC	1 1/2"FCXC	1 1/2"FCXC	1 1/2"FCXC	129.3	69.3	95.3	1	35
YY 7777 / YY 7777 NL	2"FCXC	2"FCXC	2"FCXC	2"FCXC	169.3	90.7	123.5	1	25




19.6. DOUBLE TEE REDUCING "DWV" (FCXC X FCXC X FCXC X FCXC)

ITEM NO.	SIZE				DIMENSION (mm)			QUANTITY	
	W	X	Y	Z	L	L1	H	IB	OB
TY 7777 / TY 7777 NL	2"FCXC	2"FCXC	2"FCXC	2"FCXC	199	67.5	65		



19 "DWV" CONNECTION

FEATURE

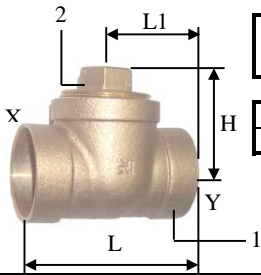
LOW LEAD
AB 1953 

BRASS & BRONZE MATERIALS

MATERIALS SPECIFICATION

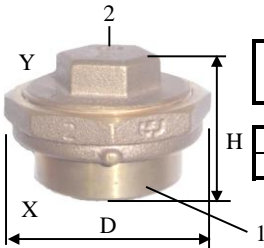
NO.	PARTS	BRASS REGULAR	BRONZE REGULAR	BRASS NO LEAD	BRONZE NO LEAD
1	BODY	BRASS (C85700)	BRONZE (C84400)	BRASS (C46400 MOD)	BRASS (C89844 MOD)
			BRONZE (C83600)		
2	COVER	BRASS (C85700)	BRONZE (C84400)	BRASS (C46400 MOD)	BRASS (C89844 MOD)
			BRONZE (C83600)		
CERTIFIED UNDER				AB 1953	AB 1953

19.7. TEE CLEAN OUT PLUG "DWV" (FCXC X FCXC X FIP)



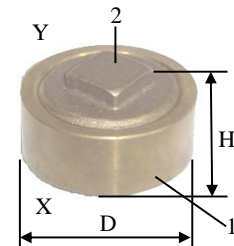
ITEM NO.	SIZE		DIMENSION (mm)				QUANTITY	
	X	Y	Z	L	H	L1	IB	OB
COT 6 / COT 6 NL	1 1/2"FCXC	1 1/2"FCXC	-	85	46.6	42.5	5	50
COT 7 / COT 7 NL	2"FCXC	2"FCXC	-	97	50.9	48.5	5	40

19.8. TUBE END CLEAN OUT PLUG "DWV" (MCXC X FIP)



ITEM NO.	SIZE		DIMENSION (mm)				QUANTITY	
	X	Y	Z	L	H	D	IB	OB
CO 66 / CO 66 NL	1 1/2"MCXC	1 1/2"FIP	-	-	44	59.5	5	100
CO 77 / CO 77 NL	2"MCXC	2"FIP	-	-	47	73		

19.9. FLUSH CLEAN OUT PLUG "DWV" (MCXC X FIP)



ITEM NO.	SIZE		DIMENSION (mm)				QUANTITY	
	X	Y	Z	L	H	D	IB	OB
CO 6 / CO 6 NL	1 1/2"MCXC	1"FIP	-	-	24.5	41.25	5	120
CO 7 / CO 7 NL	2"MCXC	1 1/2"FIP	-	-	23.7	53.95	5	75



PT. EVER AGE VALVES METALS
GRESIK - INDONESIA

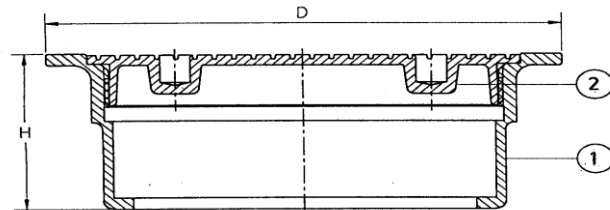
PHONE : 62-31-8976388
62-31-8978388
62-31-8972988

FAX : 62-31-8977288/62-31-8982899
E-MAIL : everagevalvesmetals@gmail.com
Website : www.everagevalves.com

19.10. DECK CLEAN OUT LESS PLUG

FEATURE

BRASS MATERIAL



MATERIAL SPECIFICATION

NO.	PARTS	MATERIALS
1	BODY	BRASS (C85700)
2	COVER	BRASS (C85700)

ITEM NO	SIZE	DIMENSION (mm)		PART NO.	QUANTITY	
		H	D		IB	OB
DCP 2	2"	53.5	115.5	ALL	1	40
DCP 3	3"	54.5	142	ALL	1	20
DCP 4	4"	75	164.5	ALL	1	20
DCP 5	5"	87	211	ALL	1	8
DCP 6	6"	87	240	ALL	1	8



PT. EVER AGE VALVES METALS
GRESIK - INDONESIA

PHONE : 62-31-8976388
62-31-8978388
62-31-8972988

FAX : 62-31-8977288/62-31-8982899
E-MAIL : everagevalvesmetals@gmail.com
Website : www.everagevalves.com

19.11. "DWV" MARVEL WASTE CONNECTOR



PF 615, 6C5

FEATURE

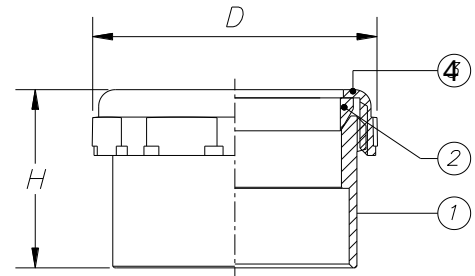
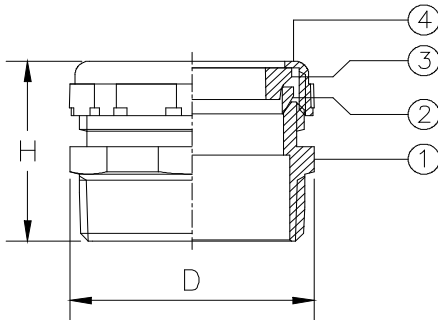
BRASS MATERIAL

MIP & FCXC X SLIP

MCXC X SLIP



PF 166



MATERIAL SPECIFICATION

NO	PARTS	BRASS REGULAR	BRASS NO LEAD
1	NIPPLE	BRASS (C85700)	BRASS (C46400 MOD)
2	PACKING	POM M90 FORMOCON FM090 CF500P	POM M90 FORMOCON FM090 CF500P
3	PACKING	POM M90 FORMOCON FM090 CF500P	POM M90 FORMOCON FM090 CF500P
4	PACKING NUT	BRASS (C85700)	BRASS (C46400 MOD)
CERTIFIED UNDER			AB 1953

ITEM NO.	SIZE	DIMENSION (mm)		PART NO.	QUANTITY	
		D	H		IB	OB
PF 615 / PF 615 NL	1 1/2" MIP & FCXC x 1 1/4" & 1 1/2" SLIP	51.5	39.5	ALL		
PF 6C5 / PF 6C5 NL	1 1/2" MCXC X 1 1/4" SLIP	46	38	1,3,4		
PF 166 / PF 166 NL	1 1/2" FCXC X 1 1/2" SLIP	51.5	32.5	1,2,4		

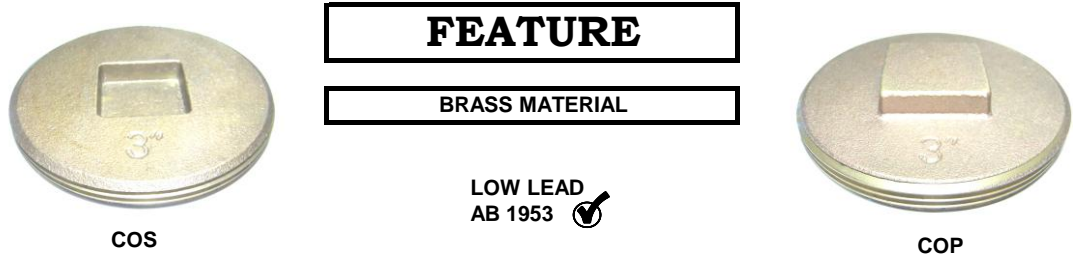


PT. EVER AGE VALVES METALS
GRESIK – INDONESIA

PHONE : 62-31-8976388
62-31-8978388
62-31-8972988

FAX : 62-31-8977288/62-31-8982899
E-MAIL : everagevalvesmetals@gmail.com
Website : www.everagevalves.com

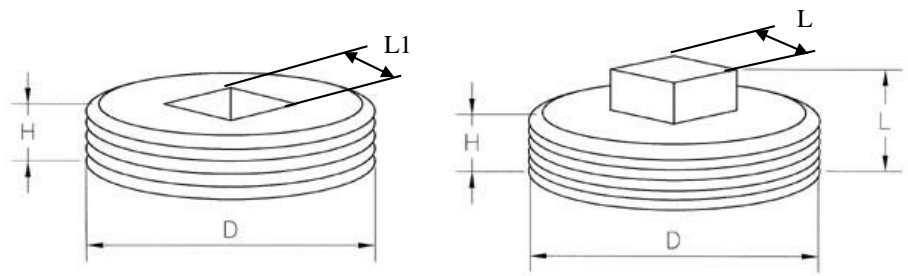
19.12. CLEAN OUT PLUG



FEATURE

BRASS MATERIAL

LOW LEAD
AB 1953



MATERIAL SPECIFICATION

NO.	PARTS	BRASS REGULAR	BRASS NO LEAD
1	BODY	BRASS (C85700)	BRASS (C46400 MOD)
CERTIFIED UNDER			AB 1953

ITEM NO	SIZE	DIMENSION (mm)				PART NO.	QUANTITY	
		D	L	L1	H		IB	OB

Raised Square Head

COP 125 / COP 125 NL	1 1/4"	41.7	22.8	16	14.2	ALL	0	500
COP 150 / COP 150 NL	1 1/2"	47.8	17.1	20.6	9.8	ALL	100	200
COP 200 / COP 200 NL	2"	59.8	19.8	25.3	11	ALL	100	200
COP 250 / COP 250 NL	2 1/2"	72.3	20	25.7	10.5	ALL	50	200
COP 300 / COP 300 NL	3"	88.2	20.8	31.6	11.5	ALL	20	160
COP 350 / COP 350 NL	3 1/2"	100.9	20.5	36.6	11.7	ALL	20	120
COP 400 / COP 400 NL	4"	113.5	21.2	34	12	ALL	10	80
COP 500 / COP 500 NL	5"	140.5	22.3	34.7	13.4	ALL	10	60
COP 600 / COP 600 NL	6"	167.4	26	35	14.3	ALL	10	40
COP 800 / COP 800 NL	8"	218	28.1	42	16.5	ALL	5	20

Counter Sunk Square Head

COS 125 / COS 125 NL	1 1/4"	41.7	-	11.5	11.1	ALL	100	200
COS 150 / COS 150 NL	1 1/2"	47.8	-	16.1	11.1	ALL	100	200
COS 200 / COS 200 NL	2"	59.8	-	20.4	10.8	ALL	100	200
COS 250 / COS 250 NL	2 1/2"	72.3	-	22.8	10.7	ALL	50	200
COS 300 / COS 300 NL	3"	88.2	-	29	11.9	ALL	20	160
COS 350 / COS 350 NL	3 1/2"	100.9	-	24.8	11.7	ALL	20	120
COS 400 / COS 400 NL	4"	113.5	-	29.3	11.8	ALL	10	80
COS 500 / COS 500 NL	5"	140.5	-	36.5	13.1	ALL	10	60
COS 550 / COS 550 NL	5 1/2"	150	-	38.5	20.5	ALL	10	20
COS 600 / COS 600 NL	6"	167.4	-	31.2	16.3	ALL	10	40
COS 800 / COS 800 NL	8"	218	-	38.1	16.5	ALL	5	20

PT. EVER AGE VALVES METALS
GRESIK - INDONESIA

PHONE : 62-31-8976388
62-31-8978388
62-31-8972988

FAX : 62-31-8977288/62-31-8982899
E-MAIL : everagevalvesmetals@gmail.com
Website : www.everagevalves.com