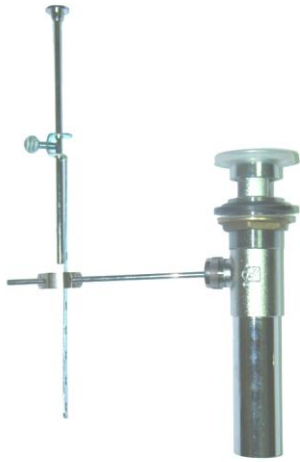


20. POP UP DRAINS

20.1. POP UP DRAIN

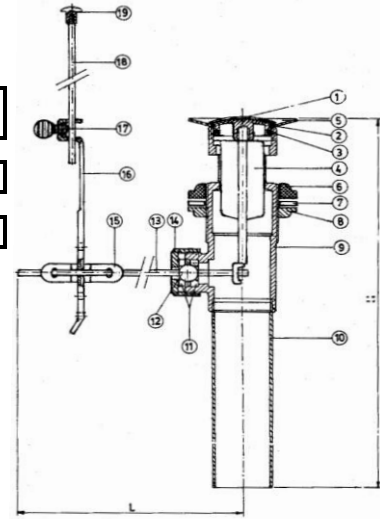


FEATURE

BRASS MATERIAL

CHROME PLATED

LOW LEAD
AB 1953



MATERIAL SPECIFICATION

NO	PARTS	BRASS REGULAR
1	COVER	POM M90 FORMOCON FM090 CF500P
2	DRAIN CAP	BRASS (C37700)
3	O RING	RUBBER (NBR) SN-719F
4	STEM	POM M90 FORMOCON FM090 CF500P
5	DRAIN CAP SEAT	BRASS (C37700)
6	PACKING	RUBBER (NBR) SN-719F
7	PACKING	POM M90 FORMOCON FM090 CF500P
8	PACKING NUT	BRASS (C85700)
9	BODY	BRASS (C85700)
10	FLOW PIPE	BRASS (COPPER ALLOY) Nos.C27000)
11	PACKING	POM M90 FORMOCON FM090 CF500P
12	BALL	POM M90 FORMOCON FM090 CF500P
13	ROD	BRASS (C37700) HOT ROLLED (SAE 1010R)
14	PACKING NUT	BRASS (C37700)
15	FIXED PLATE	STAINLESS STEEL (304)
16	ADJUST ROD	HOT ROLLED (SAE 1010R)
17	BOLT	HOT ROLLED (SAE 1010R)
18	PULL ROD	BRASS (C37700) HOT ROLLED (SAE 1010R)
19	KNOB	BRASS (C37700)
CERTIFIED UNDER		C UPC

ITEM NO.	SIZE	DIMENSIONS (mm)		PART NO.	QUANTITY	
		H	L		IB	OB
PU 1 / PU 1 NL	1 1/4"	207	150.5	ALL	1	24
PU 1UPC / PU 1UPC NL	1 1/4"	220	150.5	ALL	1	24



PT. EVER AGE VALVES METALS
GRESIK - INDONESIA

PHONE : 62-31-8976388
62-31-8978388
62-31-8972988

FAX : 62-31-8977288 / 62-31-8982899
E-MAIL : everagevalvesmetals@gmail.com
Website : www.everagevalves.com

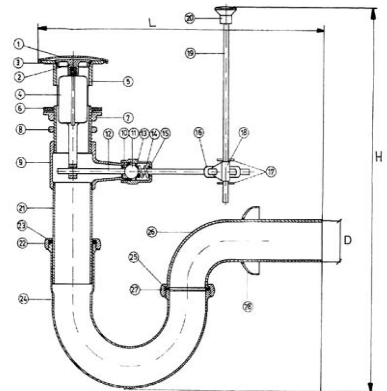
20.2. POP UP WITH TRAP PIPE



FEATURE

BRASS MATERIAL

CHROME POLISHED



MATERIAL SPECIFICATION

NO	PARTS	BRASS REGULAR
1	COVER	POM M90 FORMOCON FM090 CF500P
2	DRAIN CAP	BRASS (C37700)
3	O RING	RUBBER (NBR) SN-719F
4	STEM	POM M90 FORMOCON FM090 CF500P
5	DRAIN CAP SEAT	BRASS (C37700)
6	PACKING	RUBBER (NBR) SN-719F
7	PACKING NUT	BRASS (C85700)
8	PACKING NUT	BRASS (C85700)
9	BODY	BRASS (C85700)
10	PACKING	POM M90 FORMOCON FM090 CF500P
11	BALL	BRASS (C85700)
12	STICK ROD	BRASS (C37700)
13	SPRING SEAT	STAINLESS STEEL (304)
14	SPRING	STAINLESS STEEL (304)
15	PACKING NUT	BRASS (C37700)
16	V CLAMP	STAINLESS STEEL (304)
17	CLAMP ROD	STAINLESS STEEL (304)
18	JOINT PLATE	STAINLESS STEEL (304)
19	PULL ROD	BRASS (C37700)
20	KNOB	BRASS (C37700)
21	FLOW PIPE	BRASS (COPPER ALLOY Nos. C27000)
22	PACKING NUT	BRASS (C85700)
23	PACKING	RUBBER (NBR) SN-719F
24	"J" PIPE	BRASS (COPPER ALLOY Nos. C27000)
25	PACKING	RUBBER (NBR) SN-719F
26	"L" PIPE	BRASS (COPPER ALLOY Nos. C27000)
27	PACKING NUT	BRASS (C85700)
28	FLANGE	BRASS (COPPER ALLOY Nos. C27000)

ITEM NO.	SIZE	DIMENSIONS (mm)				PART NO.	QUANTITY	
		L	H	D	L1		IB	OB
PU 3	1 1/4"	185	300	54	310	ALL	1	25



PT. EVER AGE VALVES METALS
GRESIK - INDONESIA

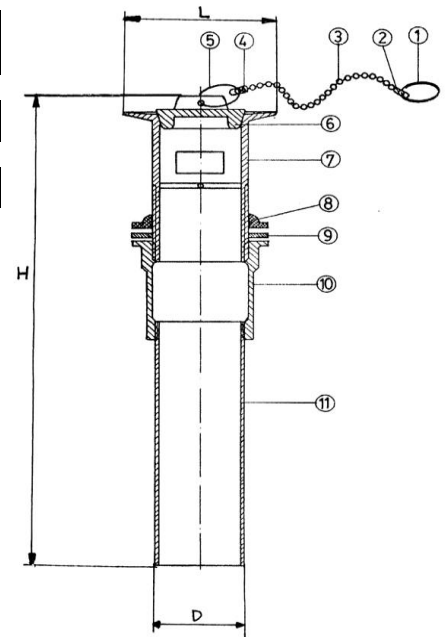
PHONE : 62-31-8976388
62-31-8978388
62-31-8972988

FAX : 62-31-8977288/62-31-8982899
E-MAIL : everagevalvesmetals@gmail.com
Website : www.everagevalves.com

20.3. POP UP WITHOUT KNOB



FEATURE
BRASS MATERIAL
CHROME POLISHED



MATERIAL SPECIFICATION

NO	PARTS	BRASS REGULAR
1	HANGER RING	STAINLESS STEEL (304)
2	JOINT CLAMB	STAINLESS STEEL (304)
3	JOINT ACCESORIES	BRASS C37700
4	JOINT CLAMB	STAINLESS STEEL (304)
5	C RING	STAINLESS STEEL (304)
6	PLUG	RUBBER (NBR) SN-719F
7	FLANGE	BRASS (C85700)
8	PACKING	RUBBER (NBR) SN-719F
9	GASKET	FIBRE
10	NUT	BRASS (C85700)
11	PIPE	BRASS (COPPER ALLOY Nos. C27000)

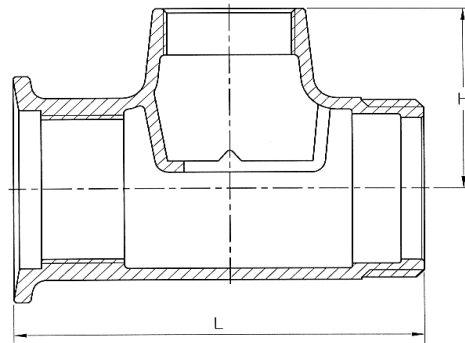
ITEM NO.	SIZE	DIMENSIONS (mm)			PART NO.	QUANTITY	
		L	H	D		IB	OB
PU 4	1 1/4"	53.2	180	54	ALL	1	50

20.4. TEE POP UP

FEATURE

BRASS MATERIAL

THREADED ENDS



MATERIAL SPECIFICATION

NO	PARTS	BRASS REGULAR
1	BODY	BRASS (C85700)

ITEM NO.	SIZE	DIMENSION (mm)		PART NO.	QUANTITY	
		L	H		IB	OB
TPU 5	1 1/4"	89	42.5	ALL	10	100

20.5. RISE GRAVITY POP UP

FEATURE

BRASS MATERIAL

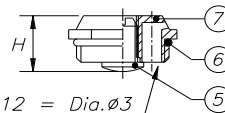
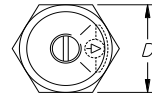
1/2" FIP

MATERIAL SPECIFICATION

NO	PARTS	BRASS REGULAR
1	PACKING	RUBBER (NBR) SN-819F
2	BONNET	BRASS (C85700)
3	STEM	BRASS (C37700)
4	STEM NUT	BRASS (C37700)
5	BOLT	BRASS (C26000)
6	O RING	RUBBER (NBR) SN-719F
7	BODY	BRASS (C37700)

20.5.1. HEAD CIRCLE NOZZLE

ITEM NO.	SIZE	DIMENSION (mm)		PART NO.	QUANTITY	
		H	D		IB	OB
F12	1/2"	12	19	5, 6, 7		
H12	1/2"	12	19	5, 6, 7		
Q12	1/2"	12	19	5, 6, 7		
F15	1/2"	12	19	5, 6, 7		
H15	1/2"	12	19	5, 6, 7		
Q15	1/2"	12	19	5, 6, 7		



F,H,Q 12 = Dia. ϕ 3
F,H,Q 15 = Dia. ϕ 4

20.5.2. COVER PART

ITEM NO.	SIZE	DIMENSION (mm)		PART NO.	QUANTITY	
		H	D		IB	OB
RPU 150	1/2" FIP	62.5	50	1, 2, 3, 4	10	80
RPU 175	1/2" FIP	81.5	50	1, 2, 3, 4	10	80

