


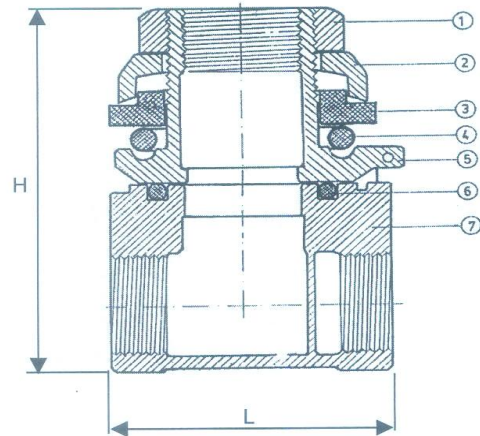
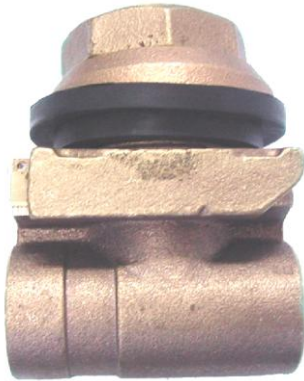
21. PITLESS ADAPTER

FEATURE

BRASS & BRONZE MATERIAL

FIP X FIP

LOW LEAD
AB 1953 



MATERIAL SPECIFICATION

NO	PARTS	BRASS REGULAR	BRONZE REGULAR	BRASS NO LEAD	BRONZE NO LEAD
1	PACKING NUT	BRASS (C85700)	BRONZE (C84400) BRONZE (C83600)	BRASS (C85700)	BRONZE (C84400) BRONZE (C83600)
2	GLAND RING	BRASS (C85700)	BRONZE (C84400) BRONZE (C83600)	BRASS (C85700)	BRONZE (C84400) BRONZE (C83600)
3	PACKING	RUBBER (NBR) SN-719F	RUBBER (NBR) SN-719F	RUBBER (NBR) SN-719F	RUBBER (NBR) SN-719F
4	O RING	RUBBER (NBR) SN-719F	RUBBER (NBR) SN-719F	RUBBER (NBR) SN-719F	RUBBER (NBR) SN-719F
5	BONNET	BRASS (C85700)	BRONZE (C84400) BRONZE (C83600)	BRASS (C46400 MOD)	BRASS (C89844 MOD)
6	O RING	RUBBER (NBR) SN-719F	RUBBER (NBR) SN-719F	RUBBER (NBR) SN-719F	RUBBER (NBR) SN-719F
7	BODY	BRASS (C85700)	BRONZE (C84400) BRONZE (C83600)	BRASS (C46400 MOD)	BRASS (C89844 MOD)

CERTIFIED UNDER			AB 1953	AB 1953
-----------------	--	--	---------	---------

ITEM NO	SIZE	DIMENSION (mm)		PART NO.	QUANTITY	
		L	H		IB	OB

PA 4 / PA 4 NL	1" FIP X 1" FIP	76.7	92.25	ALL	4	16
PA 5 / PA 5 NL	1 1/4" FIP X 1 1/4" FIP	90	103.5	ALL	2	12
PA 75 / PA 75 NL	2" FIP X 1 1/4" FIP	153	134	ALL		


21.1. PITLESS ADAPTER ECONOMIC

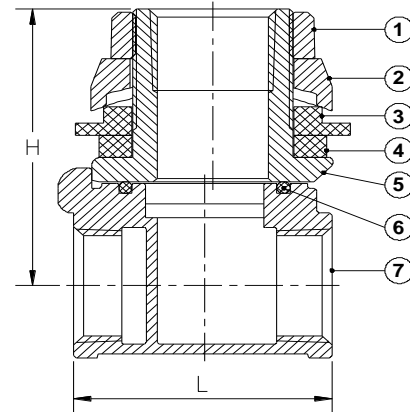
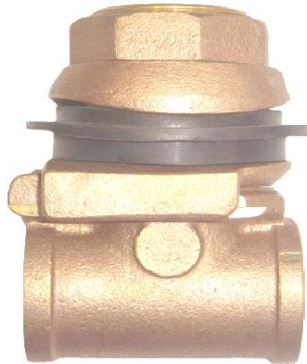
ECONOMIC STYLE

FEATURE

BRASS & BRONZE MATERIALS

FIP X FIP

LOW LEAD
AB 1953 



MATERIAL SPECIFICATION

NO	PARTS	BRASS REGULAR	BRONZE REGULAR	BRASS NO LEAD	BRONZE NO LEAD
1	PACKING NUT	BRASS (C85700)	BRONZE (C84400) BRONZE (C83600)	BRASS (C85700)	BRONZE (C84400) BRONZE (C83600)
2	GLAND RING	BRASS (C85700)	BRONZE (C84400) BRONZE (C83600)	BRASS (C85700)	BRONZE (C84400) BRONZE (C83600)
3	PACKING	RUBBER (NBR) SN-719F	RUBBER (NBR) SN-719F	RUBBER (NBR) SN-719F	RUBBER (NBR) SN-719F
4	PACKING	RUBBER (NBR) SN-719F	RUBBER (NBR) SN-719F	RUBBER (NBR) SN-719F	RUBBER (NBR) SN-719F
5	BONNET	BRASS (C85700)	BRONZE (C84400) BRONZE (C83600)	BRASS (C46400 MOD)	BRASS (C89844 MOD)
6	O RING	RUBBER (NBR) SN-719F	RUBBER (NBR) SN-719F	RUBBER (NBR) SN-719F	RUBBER (NBR) SN-719F
7	BODY	BRASS (C85700)	BRONZE (C84400) BRONZE (C83600)	BRASS (C46400 MOD)	BRASS (C89844 MOD)
CERTIFIED UNDER				AB 1953	AB 1953

ITEM NO	SIZE	DIMENSION (mm)		PART NO.	QUANTITY	
		L	H		IB	OB
PAS 4 / PAS 4 NL	1" FIP X 1" FIP	67.8	81.1	ALL	4	16