

## 22. FAUCETS

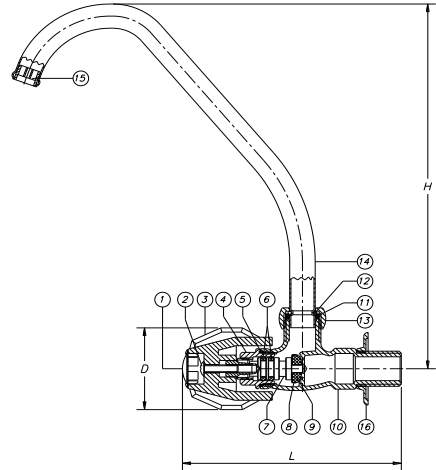
### 22.1. SHOWER FAUCET WITH C PIPE WITH O - RING SEALING TYPE



#### FEATURE

BRASS & BRONZE MATERIAL

POLISHED CHROME



#### MATERIAL SPECIFICATION

NO	PARTS	BRASS REGULAR	BRONZE REGULAR	BRASS NO LEAD	BRONZE NO LEAD
1	COVER	POM M90 FORMOCON FM090 CF500P	POM M90 FORMOCON FM090 CF500P	POM M90 FORMOCON FM090 CF500P	POM M90 FORMOCON FM090 CF500P
2	HANDLE BOLT	HOT ROLLED ( SAE 1010R )	HOT ROLLED ( SAE 1010R )	HOT ROLLED ( SAE 1010R )	HOT ROLLED ( SAE 1010R )
3	THUMB HANDLE HANDWHEEL	ZINC ( Z30A ) ACRELIC	ZINC ( Z30A ) ACRELIC	ZINC ( Z30A ) ACRELIC	ZINC ( Z30A ) ACRELIC
4	BONNET	BRASS ( C85700 )	BRONZE ( C84400 ) BRONZE ( C83600 )	BRASS ( C46400 MOD )	BRASS ( C89844 MOD )
5	O-RING	RUBBER (NBR) SN-719F	RUBBER (NBR) SN-719F	RUBBER (NBR) SN-719F	RUBBER (NBR) SN-719F
6	O-RING	RUBBER (NBR) SN-719F	RUBBER (NBR) SN-719F	RUBBER (NBR) SN-719F	RUBBER (NBR) SN-719F
7	STEM	BRASS ( C37700 )	BRASS ( C37700 )	BRASS ( C46400 )	BRASS ( C46400 )
8	SEAT HOLDER	STAINLESS STEEL ( 304 )	STAINLESS STEEL ( 304 )	STAINLESS STEEL ( 304 )	STAINLESS STEEL ( 304 )
9	SEAT PACKING	RUBBER (NBR) SN-819F	RUBBER (NBR) SN-819F	RUBBER (NBR) SN-819F	RUBBER (NBR) SN-819F
10	BODY	BRASS ( C85700 )	BRONZE ( C84400 ) BRONZE ( C83600 )	BRASS ( C46400 MOD )	BRASS ( C89844 MOD )
11	O RING	RUBBER (NBR) SN-719F	RUBBER (NBR) SN-719F	RUBBER (NBR) SN-719F	RUBBER (NBR) SN-719F
12	WASHER	POM M90 FORMOCON FM090 CF500P	POM M90 FORMOCON FM090 CF500P	POM M90 FORMOCON FM090 CF500P	POM M90 FORMOCON FM090 CF500P
13	PACKING NUT	BRASS ( C85700 )	BRONZE ( C84400 ) BRONZE ( C83600 )	BRASS ( C85700 )	BRONZE ( C84400 ) BRONZE ( C83600 )
14	FLOW PIPE	BRASS COPPER ALLOY ( Nos.C27000 )	BRASS COPPER ALLOY ( Nos.C27000 )	BRASS COPPER ALLOY ( Nos.C27000 )	BRASS COPPER ALLOY ( Nos.C27000 )
15	FILTER	POM M90 FORMOCON FM090 CF500P	POM M90 FORMOCON FM090 CF500P	POM M90 FORMOCON FM090 CF500P	POM M90 FORMOCON FM090 CF500P
16	FLANGE	ZINC ( Z30A )	ZINC ( Z30A )	ZINC ( Z30A )	ZINC ( Z30A )

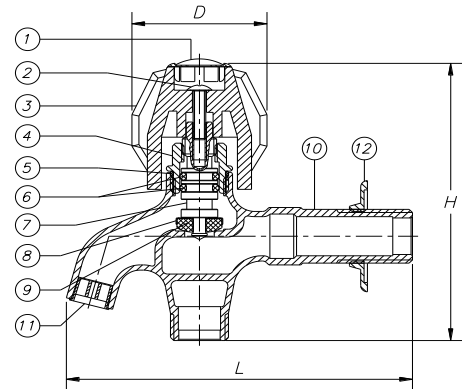
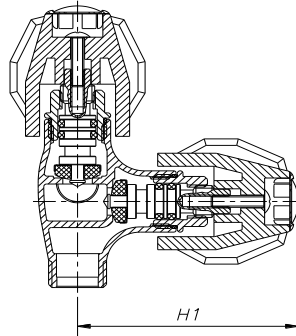
ITEM NO.	SIZE	DIMENSION (mm)			PART NO.	QUANTITY	
		L	H	D		IB	OB
KSC 2	1/2"	123	203	48	ALL	5	30

## 22.2. SHOWER & BIBBS FAUCET WIYH O - RING SEALING TYPE

### FEATURE

BRASS & BRONZE MATERIAL

POLISHED CHROME



### MATERIAL SPECIFICATION

NO	PARTS	BRASS REGULAR	BRONZE REGULAR	BRASS NO LEAD	BRONZE NO LEAD
1	COVER	POM M90 FORMOCON FM090 CF500P	POM M90 FORMOCON FM090 CF500P	POM M90 FORMOCON FM090 CF500P	POM M90 FORMOCON FM090 CF500P
2	HANDLE BOLT	HOT ROLLED ( SAE 1010R )	HOT ROLLED ( SAE 1010R )	HOT ROLLED ( SAE 1010R )	HOT ROLLED ( SAE 1010R )
3	HANDLE	ACRELIC	ACRELIC	ACRELIC	ACRELIC
4	BONNET	BRASS ( C85700 )	BRONZE ( C84400 ) BRONZE ( C83600 )	BRASS ( C46400 MOD )	BRASS ( C89844 MOD )
5	O-RING	RUBBER (NBR) SN-719F	RUBBER (NBR) SN-719F	RUBBER (NBR) SN-719F	RUBBER (NBR) SN-719F
6	O-RING	RUBBER (NBR) SN-719F	RUBBER (NBR) SN-719F	RUBBER (NBR) SN-719F	RUBBER (NBR) SN-719F
7	STEM	BRASS ( C37700 )	BRASS ( C37700 )	BRASS ( C46400 )	BRASS ( C46400 )
8	SEAT HOLDER	STAINLESS STEEL ( 304 )	STAINLESS STEEL ( 304 )	STAINLESS STEEL ( 304 )	STAINLESS STEEL ( 304 )
9	SEAT PACKING	RUBBER (NBR) SN-819F	RUBBER (NBR) SN-819F	RUBBER (NBR) SN-819F	RUBBER (NBR) SN-819F
10	BODY	BRASS ( C85700 )	BRONZE ( C84400 ) BRONZE ( C83600 )	BRASS ( C46400 MOD )	BRASS ( C89844 MOD )
11	FILTER	POM M90 FORMOCON FM090 CF500P	POM M90 FORMOCON FM090 CF500P	POM M90 FORMOCON FM090 CF500P	POM M90 FORMOCON FM090 CF500P
12	FLANGE	ZINC ( Z30A )	ZINC ( Z30A )	ZINC ( Z30A )	ZINC ( Z30A )

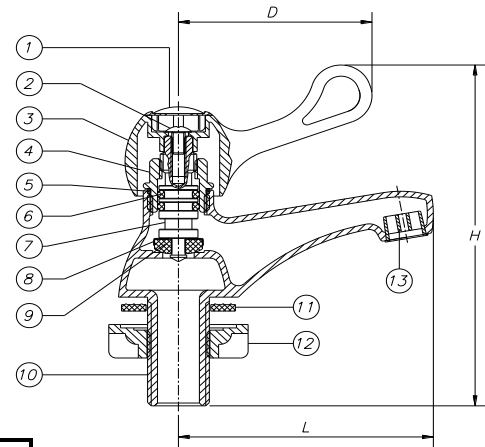
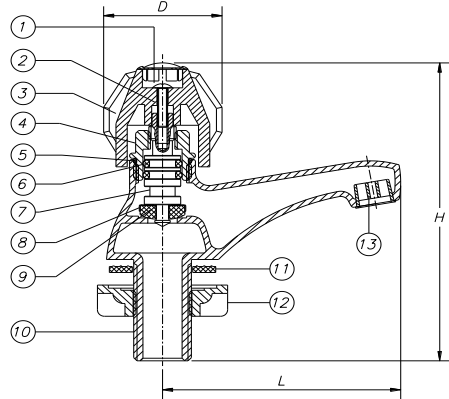
ITEM NO.	SIZE	DIMENSION (mm)				PART NO.	QUANTITY	
		L	H	H1	D		IB	OB
KD 2	1/2"	109.3	87.5	78.4	46.2	ALL	3	30

## 22.3. WASH BASIN WITH O - RING SEALING TYPE

### FEATURE

BRASS BRONZE MATERIAL

POLISHED CHROME



### MATERIAL SPECIFICATION

NO	PARTS	BRASS REGULAR	BRONZE REGULAR	BRASS NO LEAD	BRONZE NO LEAD
1	COVER	POM M90 FORMOCON FM090 CF500P	POM M90 FORMOCON FM090 CF500P	POM M90 FORMOCON FM090 CF500P	POM M90 FORMOCON FM090 CF500P
2	HANDLE BOLT	HOT ROLLED ( SAE 1010R )	HOT ROLLED ( SAE 1010R )	HOT ROLLED ( SAE 1010R )	HOT ROLLED ( SAE 1010R )
3	TUMB HANDLE HANDWHEEL	ZINC ( Z30A ) ACRELIC	ZINC ( Z30A ) ACRELIC	ZINC ( Z30A ) ACRELIC	ZINC ( Z30A ) ACRELIC
4	BONNET	BRASS ( C85700 )	BRONZE ( C84400 ) BRONZE ( C83600 )	BRASS ( C46400 MOD )	BRASS ( C89844 MOD )
5	O-RING	RUBBER (NBR) SN-719F	RUBBER (NBR) SN-719F	RUBBER (NBR) SN-719F	RUBBER (NBR) SN-719F
6	O-RING	RUBBER (NBR) SN-719F	RUBBER (NBR) SN-719F	RUBBER (NBR) SN-719F	RUBBER (NBR) SN-719F
7	STEM	BRASS ( C37700 )	BRASS ( C37700 )	BRASS ( C46400 )	BRASS ( C46400 )
8	SEAT HOLDER	STAINLESS STEEL ( 304 )	STAINLESS STEEL ( 304 )	STAINLESS STEEL ( 304 )	STAINLESS STEEL ( 304 )
9	SEAT PACKING	RUBBER (NBR) SN-819F	RUBBER (NBR) SN-819F	RUBBER (NBR) SN-819F	RUBBER (NBR) SN-819F
10	BODY	BRASS ( C85700 )	BRONZE ( C84400 ) BRONZE ( C83600 )	BRASS ( C46400 MOD )	BRASS ( C89844 MOD )
11	PACKING	RUBBER (NBR) SN-719F	RUBBER (NBR) SN-719F	RUBBER (NBR) SN-719F	RUBBER (NBR) SN-719F
12	PACKING NUT	POM M90 FORMOCON FM090 CF500P	POM M90 FORMOCON FM090 CF500P	POM M90 FORMOCON FM090 CF500P	POM M90 FORMOCON FM090 CF500P
13	FILTER	POM M90 FORMOCON FM090 CF500P	POM M90 FORMOCON FM090 CF500P	POM M90 FORMOCON FM090 CF500P	POM M90 FORMOCON FM090 CF500P

ITEM NO.	SIZE	DIMENSION (mm)			PART NO.	QUANTITY	
		L	H	D		IB	OB
KW 2 ACL-HDL	1/2"	88.25	120.5	48	ALL	5	50
KW 2 J-HDL2	1/2"	88.25	108	65	ALL	5	50

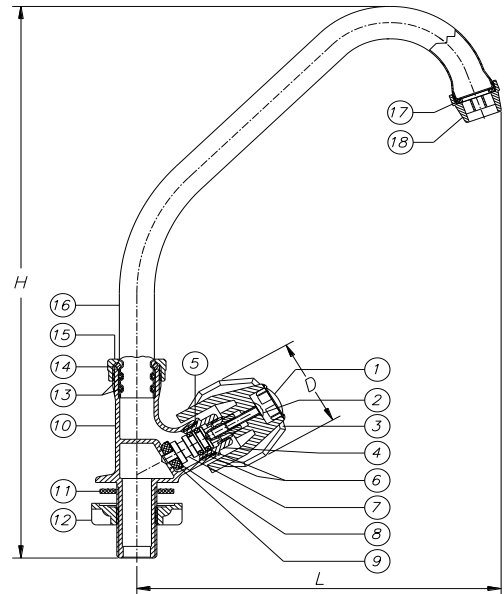
## 22.4. WASH BASIN FAUCET WITH C PIPE WITH O - RING SEALING TYPE



### FEATURE

BRASS & BRONZE MATERIAL

POLISHED CHROME



### MATERIAL SPECIFICATION

NO	PARTS	BRASS REGULAR	BRONZE REGULAR	BRASS NO LEAD	BRONZE NO LEAD
1	COVER	POM M90 FORMOCON FM090 CF500P	POM M90 FORMOCON FM090 CF500P	POM M90 FORMOCON FM090 CF500P	POM M90 FORMOCON FM090 CF500P
2	HANDLE BOLT	HOT ROLLED ( SAE 1010R )	HOT ROLLED ( SAE 1010R )	HOT ROLLED ( SAE 1010R )	HOT ROLLED ( SAE 1010R )
3	THUMB HANDLE	ZINC ( Z30A )	ZINC ( Z30A )	ZINC ( Z30A )	ZINC ( Z30A )
	HANDWHEEL	ACRELIC	ACRELIC	ACRELIC	ACRELIC
4	BONNET	BRASS ( C85700 )	BRONZE ( C84400 ) BRONZE ( C83600 )	BRASS ( C46400 MOD )	BRASS ( C89844 MOD )
5	O-RING	RUBBER (NBR) SN-719F	RUBBER (NBR) SN-719F	RUBBER (NBR) SN-719F	RUBBER (NBR) SN-719F
6	O-RING	RUBBER (NBR) SN-719F	RUBBER (NBR) SN-719F	RUBBER (NBR) SN-719F	RUBBER (NBR) SN-719F
7	STEM	BRASS ( C37700 )	BRASS ( C37700 )	BRASS ( C46400 )	BRASS ( C46400 )
8	SEAT HOLDER	STAINLESS STEEL ( 304 )	STAINLESS STEEL ( 304 )	STAINLESS STEEL ( 304 )	STAINLESS STEEL ( 304 )
9	SEAT PACKING	RUBBER (NBR) SN-819F	RUBBER (NBR) SN-819F	RUBBER (NBR) SN-819F	RUBBER (NBR) SN-819F
10	BODY	BRASS ( C85700 )	BRONZE ( C84400 ) BRONZE ( C83600 )	BRASS ( C46400 MOD )	BRASS ( C89844 MOD )
11	PACKING	RUBBER (NBR) SN-719F	RUBBER (NBR) SN-719F	RUBBER (NBR) SN-719F	RUBBER (NBR) SN-719F
12	PACKING NUT	PHENOLIC	PHENOLIC	PHENOLIC	PHENOLIC
13	O RING	RUBBER (NBR) SN-719F	RUBBER (NBR) SN-719F	RUBBER (NBR) SN-719F	RUBBER (NBR) SN-719F
14	WASHER	POM M90 FORMOCON FM090 CF500P	POM M90 FORMOCON FM090 CF500P	POM M90 FORMOCON FM090 CF500P	POM M90 FORMOCON FM090 CF500P
15	PACKING NUT	BRASS ( C37700 )	BRASS ( C37700 )	BRASS ( C37700 )	BRASS ( C37700 )
16	C - PIPE	BRASS COPPER ALLOY ( Nos.C27000 )	BRASS COPPER ALLOY ( Nos.C27000 )	BRASS COPPER ALLOY ( Nos.C27000 )	BRASS COPPER ALLOY ( Nos.C27000 )
17	PACKING	RUBBER (NBR) SN-719F	RUBBER (NBR) SN-719F	RUBBER (NBR) SN-719F	RUBBER (NBR) SN-719F
18	FILTER	POM M90 FORMOCON FM090 CF500P	POM M90 FORMOCON FM090 CF500P	POM M90 FORMOCON FM090 CF500P	POM M90 FORMOCON FM090 CF500P

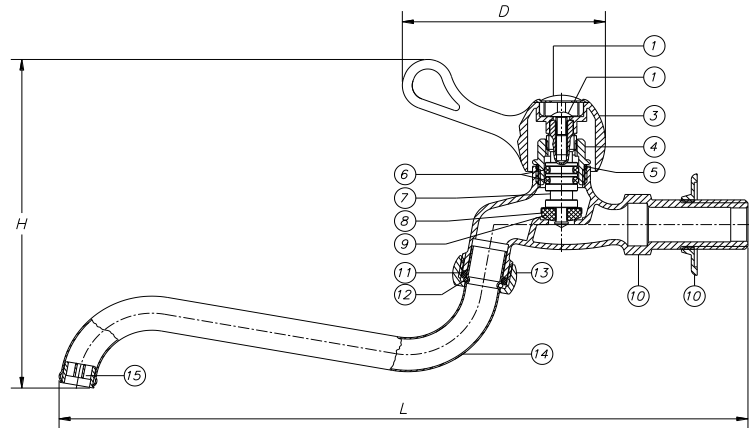
ITEM NO.	SIZE	DIMENSION (mm)			PART NO.	QUANTITY	
		L	H	D		IB	OB
KWY 2	1/2"	141.5	292	48	ALL	5	30

## 22.5. LOUNDRY FAUCET WITH S PIPE WITH O - RING SEALING TYPE

### FEATURE

BRASS & BRONZE MATERIAL

POLISHED CROME



### MATERIAL SPECIFICATION

NO	PARTS	BRASS REGULAR	BRONZE REGULAR	BRASS NO LEAD	BRONZE NO LEAD
1	COVER	POM M90 FORMOCON FM090 CF500P	POM M90 FORMOCON FM090 CF500P	POM M90 FORMOCON FM090 CF500P	POM M90 FORMOCON FM090 CF500P
2	HANDLE BOLT	HOT ROLLED ( SAE 1010R )	HOT ROLLED ( SAE 1010R )	HOT ROLLED ( SAE 1010R )	HOT ROLLED ( SAE 1010R )
3	THUMB HANDLE	ZINC ( Z30A )	ZINC ( Z30A )	ZINC ( Z30A )	ZINC ( Z30A )
	HANDWHEEL	ACRELIC	ACRELIC	ACRELIC	ACRELIC
4	BONNET	BRASS ( C85700 )	BRONZE ( C84400 ) BRONZE ( C83600 )	BRASS ( C46400 MOD )	BRASS ( C89844 MOD )
5	O-RING	RUBBER (NBR) SN-719F	RUBBER (NBR) SN-719F	RUBBER (NBR) SN-719F	RUBBER (NBR) SN-719F
6	O-RING	RUBBER (NBR) SN-719F	RUBBER (NBR) SN-719F	RUBBER (NBR) SN-719F	RUBBER (NBR) SN-719F
7	STEM	BRASS ( C37700 )	BRASS ( C37700 )	BRASS ( C46400 )	BRASS ( C46400 )
8	SEAT HOLDER	STAINLESS STEEL ( 304 )	STAINLESS STEEL ( 304 )	STAINLESS STEEL ( 304 )	STAINLESS STEEL ( 304 )
9	SEAT PACKING	RUBBER (NBR) SN-819F	RUBBER (NBR) SN-819F	RUBBER (NBR) SN-819F	RUBBER (NBR) SN-819F
10	BODY	BRASS ( C85700 )	BRONZE ( C84400 ) BRONZE ( C83600 )	BRASS ( C46400 MOD )	BRASS ( C89844 MOD )
11	O-RING	RUBBER (NBR) SN-719F	RUBBER (NBR) SN-719F	RUBBER (NBR) SN-719F	RUBBER (NBR) SN-719F
12	WASHER	POM M90 FORMOCON FM090 CF500P	POM M90 FORMOCON FM090 CF500P	POM M90 FORMOCON FM090 CF500P	POM M90 FORMOCON FM090 CF500P
13	PACKING NUT	BRASS ( C85700 )	BRASS ( C85700 )	BRASS ( C85700 )	BRASS ( C85700 )
14	FLOW PIPE	BRASS COPPER ALLOY Nos. C27000	BRASS COPPER ALLOY Nos. C27000	BRASS COPPER ALLOY Nos. C27000	BRASS COPPER ALLOY Nos. C27000
15	FILTER	POM M90 FORMOCON FM090 CF500P	POM M90 FORMOCON FM090 CF500P	POM M90 FORMOCON FM090 CF500P	POM M90 FORMOCON FM090 CF500P
16	FLANGE	ZINC ( Z30A )	ZINC ( Z30A )	ZINC ( Z30A )	ZINC ( Z30A )

ITEM NO.	SIZE	DIMENSION (mm)				PART NO.	QUANTITY	
		L	H	D	H1		IB	OB
KB 2	1/2"	272	55	65	179	ALL	5	30

## 22.6. HOSE & SINGLE BIBBS FAUCET QUICK OPENED



HBO 38,39



HBO 64,65



HBO 66,67

### FEATURE

BRASS & BRONZE MATERIAL

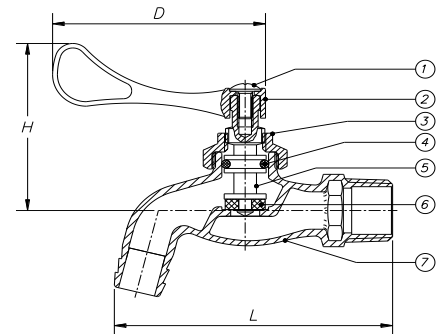
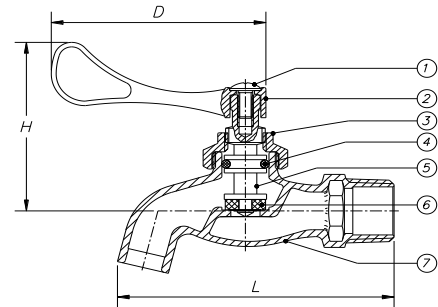
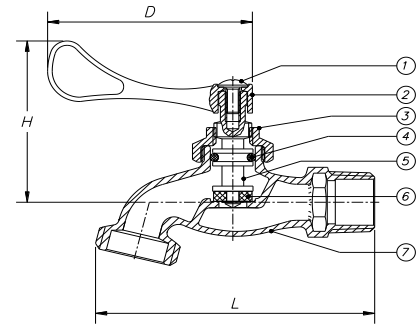
BRASS & BRONZE CHROME

POLISHED CHROME

MALE HOSE BIBBS

MALE SINGLE BIBBS

MALE INSERT BIBBS



### MATERIAL SPECIFICATION

NO	PARTS	BRASS REGULAR		BRONZE REGULAR		BRASS NO LEAD		BRONZE NO LEAD	
		SAE	SAE	SAE	SAE	SAE	SAE	SAE	SAE
1	HANDLE BOLT	HOT ROLLED ( SAE 1010R )		HOT ROLLED ( SAE 1010R )		HOT ROLLED ( SAE 1010R )		HOT ROLLED ( SAE 1010R )	
2	HANDLE - J	BRASS ( C85700 )		BRASS ( C85700 )		BRASS ( C85700 )		BRASS ( C85700 )	
3	BONNET	BRASS ( C85700 )		BRASS ( C85700 )		BRASS ( C85700 )		BRASS ( C85700 )	
4	O-RING	RUBBER (NBR) SN-719F		RUBBER (NBR) SN-719F		RUBBER (NBR) SN-719F		RUBBER (NBR) SN-719F	
5	STEM	BRASS ( C37700 )		BRASS ( C37700 )		BRASS ( C46400 )		BRASS ( C46400 )	
6	SEAT PACKING	RUBBER (NBR) SN-819F		RUBBER (NBR) SN-819F		RUBBER (NBR) SN-819F		RUBBER (NBR) SN-819F	
7	BODY	BRASS ( C85700 )		BRONZE ( C84400 ) BRONZE ( C83600 )		BRASS ( C46400 MOD )		BRASS ( C89844 MOD )	

ITEM NO.	SIZE	DIMENSION (mm)			PART NO.	QUANTITY	
		L	H	D		IB	OB
HBO 38	1/2" MIP X 3/4" MHT	84	47.5	62	ALL	10	100
HBO 39	3/4" MIP X 3/4" MHT	87	47.5	62	ALL	10	100
HBO 64	1/2" MIP & 1/2" CXC X SINGLE BIBB	83.5	47.5	62	ALL	10	100
HBO 65	3/4" MIP & 3/4" CXC X SINGLE BIBB	85.5	47.5	62	ALL	10	100
HBO 66	1/2" MIP X 5/8" INSERT	85	47.5	62	ALL	10	100
HBO 67	3/4" MIP X 5/8" INSERT	87.5	47.5	62	ALL	10	100

## 22.7. HOSE & SINGLE BIBBS FAUCET



HB 38,39



HB 64,65



HB 66,67

### FEATURE

BRASS & BRONZE MATERIAL

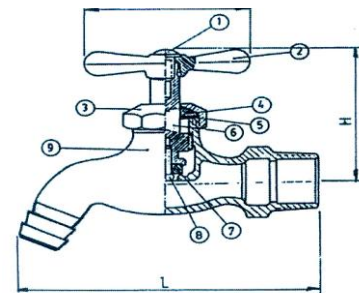
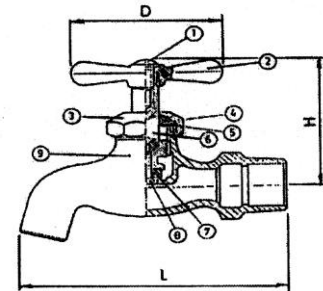
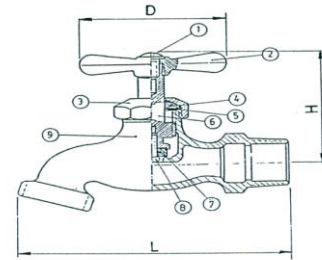
BRASS & BRONZE CHROME

POLISHED CHROME

MIP X MHT BIBBS

MIP X SINGLE BIBBS

MIP X INSERT BIBBS



### MATERIAL SPECIFICATION

NO	PARTS	BRASS REGULAR	BRONZE REGULAR	BRASS NO LEAD	BRONZE NO LEAD
1	HANDLE BOLT	HOT ROLLED ( SAE 1010R )	HOT ROLLED ( SAE 1010R )	HOT ROLLED ( SAE 1010R )	HOT ROLLED ( SAE 1010R )
2	T HANDLE	ZINC ( Z30A )	ZINC ( Z30A )	ZINC ( Z30A )	ZINC ( Z30A )
3	BONNET	BRASS ( C37700 )	BRASS ( C37700 )	BRASS ( C37700 )	BRASS ( C37700 )
4	GLAND PACKING	RUBBER (NBR) SN-719F	RUBBER (NBR) SN-719F	RUBBER (NBR) SN-719F	RUBBER (NBR) SN-719F
5	WASHER	STAINLESS STEEL ( 304 )	STAINLESS STEEL ( 304 )	STAINLESS STEEL ( 304 )	STAINLESS STEEL ( 304 )
6	STEM	BRASS ( C37700 )	BRASS ( C37700 )	BRASS ( C46400 )	BRASS ( C46400 )
7	SEAT PACKING	RUBBER (NBR) SN-819F	RUBBER (NBR) SN-819F	RUBBER (NBR) SN-819F	RUBBER (NBR) SN-819F
8	SEAT SCREW	BRASS ( C26000 )	BRASS ( C26000 )	BRASS ( C26000 )	BRASS ( C26000 )
9	BODY	BRASS ( C85700 )	BRONZE ( C84400 ) BRONZE ( C83600 )	BRASS ( C46400 MOD )	BRASS ( C89844 MOD )

CERTIFIED UNDER	C CSA US, NSF / ANSI 61		NSF / ANSI 372, AB 1953	AB 1953
-----------------	-------------------------	--	-------------------------	---------

ITEM NO.	SIZE	DIMENSION (mm)			PART NO.	QUANTITY	
		L	H	D		IB	OB
HB 38	1/2" MIP X 3/4" MHT	84	47.5	62	ALL	10	100
HB 39	3/4" MIP X 3/4" MHT	87	47.5	62	ALL	10	100
HB 64	1/2" MIP & 1/2" CXC X SINGLE BIBB	83.5	47.5	62	ALL	10	100
HB 65	3/4" MIP & 3/4" CXC X SINGLE BIBB	85.5	47.5	62	ALL	10	100
HB 66	1/2" MIP X 5/8" INSERT	85	47.5	62	ALL	10	100
HB 67	3/4" MIP X 5/8" INSERT	87.5	47.5	62	ALL	10	100



PT. EVER AGE VALVES METALS  
GRESIK - INDONESIA

PHONE : 62-31-8976388  
62-31-8978388  
62-31-8972988

FAX : 62-31-8977288/62-31-8982899  
E-MAIL : everagevalvesmetals@gmail.com  
Website : www.everagevalves.com



## 22.8. HOSE & SINGLE BIBBS FAUCET QUICK OPENED



### FEATURE

BRASS & BRONZE MATERIAL

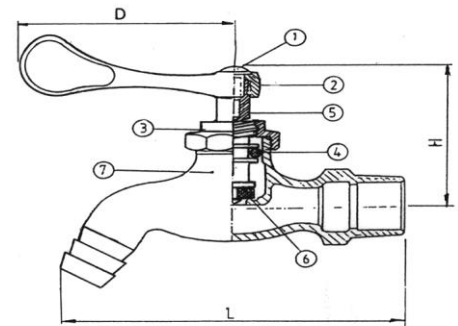
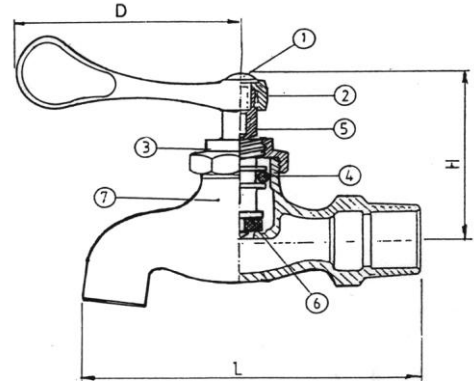
BRASS & BRONZE CHROME

BRASS FINISH

MALE HOSE BIBBS

MALE SINGLE BIBBS

MALE INSERT BIBBS



### MATERIAL SPECIFICATION

NO	PARTS	BRASS REGULAR	BRONZE REGULAR	BRASS NO LEAD	BRONZE NO LEAD
1	HANDLE BOLT	HOT ROLLED ( SAE 1010R )	HOT ROLLED ( SAE 1010R )	HOT ROLLED ( SAE 1010R )	HOT ROLLED ( SAE 1010R )
2	HANDLE - J	BRASS ( C85700 )	BRASS ( C85700 )	BRASS ( C85700 )	BRASS ( C85700 )
3	BONNET	BRASS ( C85700 )	BRASS ( C85700 )	BRASS ( C85700 )	BRASS ( C85700 )
4	O-RING	RUBBER (NBR) SN-719F	RUBBER (NBR) SN-719F	RUBBER (NBR) SN-719F	RUBBER (NBR) SN-719F
5	STEM	BRASS ( C85700 )	BRONZE ( C84400 ) BRONZE ( C83600 )	BRASS ( C46400 MOD )	BRASS ( C89844 MOD )
6	SEAT PACKING	RUBBER (NBR) SN-819F	RUBBER (NBR) SN-819F	RUBBER (NBR) SN-819F	RUBBER (NBR) SN-819F
7	BODY	BRASS ( C85700 )	BRONZE ( C84400 ) BRONZE ( C83600 )	BRASS ( C46400 MOD )	BRASS ( C89844 MOD )

ITEM NO.	SIZE	DIMENSION (mm)			PART NO.	QUANTITY	
		L	H	D		IB	OB
HBO 38 / HBO 38 NL	1/2"	84	47.5	62	ALL	10	100
HBO 39 / HBO 39 NL	3/4"	87	47.5	62	ALL	10	100
HBO 64 / HBO 64 NL	1/2"	83.5	47.5	62	ALL	10	100
HBO 65 / HBO 65 NL	3/4"	85.5	47.5	62	ALL	10	100
HBO 66 / HBO 66 NL	1/2"	85	47.5	62	ALL	10	100
HBO 67 / HBO 67 NL	3/4"	87.5	47.5	62	ALL	10	100