

## 25. FIRE HOSE

### 25.1. FIRE HOSE



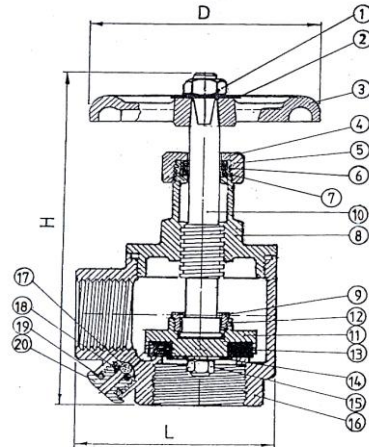
#### FEATURE

BRASS MATERIAL

FIP X MHT

FIP X FIP

LOW LEAD  
AB 1953 ✓



#### MATERIAL SPECIFICATION

NO	PARTS	BRASS REGULAR	BRASS NO LEAD
1	WHEEL NUT	HOT ROLLED (SAE 1010R)	HOT ROLLED (SAE 1010R)
2	NAME PLATE	ALUMINIUM ( A1100 )	ALUMINIUM ( A1100 )
3	HANDWHEEL	CAST IRON ( JIS ZZ2202 )	CAST IRON ( JIS ZZ2202 )
4	PACKING NUT	BRASS ( C37700 )	BRASS ( C37700 )
5	O RING	RUBBER (NBR) SN-719F	RUBBER (NBR) SN-719F
6	WASHER	BRASS ( C37700 )	BRASS ( C46400 )
7	O RING	RUBBER (NBR) SN-719F	RUBBER (NBR) SN-719F
8	BONNET	BRASS ( C85700 )	BRASS ( C46400 MOD )
9	LOCK NUT	BRASS ( C37700 )	BRASS ( C46400 )
10	STEM	BRASS ( C85700 )	BRASS ( C46400 MOD )
11	SEAT HOLDER	BRASS ( C85700 )	BRASS ( C46400 MOD )
12	LOCK BOLT	BRASS ( C37700 )	BRASS ( C46400 )
13	SEAT PACKING	RUBBER (NBR) SN-819F	RUBBER (NBR) SN-819F
14	WASHER	BRASS ( C37700 )	BRASS ( C46400 )
15	SEAT NUT	BRASS ( C37700 )	BRASS ( C46400 )
16	BODY	BRASS ( C85700 )	BRASS ( C46400 MOD )
17	STEEL BALL	STAINLESS STEEL ( 304 )	STAINLESS STEEL ( 304 )
18	O RING	RUBBER (NBR) SN-719F	RUBBER (NBR) SN-719F
19	O RING	RUBBER (NBR) SN-719F	RUBBER (NBR) SN-719F
20	CAP BOLT	BRASS ( C37700 )	BRASS ( C46400 )
CERTIFIED UNDER			AB 1953

ITEM NO.	SIZE	DIMENSION ( mm )			PART NO.	QUANTITY	
		L	H	D		IB	OB

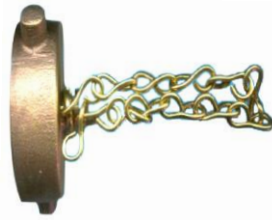
#### FIP X MHT

FH 6 / FH 6 NL	1 1/2" FIP X 1 1/2-9MHT	100	178	98	ALL	2	24
FH 8 / FH 8 NL	2 1/2" FIP X 2 1/2-7.5MHT	140	238	126	ALL	2	16

#### FIP X FIP

FH 7 / FH 7 NL	1 1/2" FIP X 1 1/2" FIP	100	178	98	ALL	2	24
FH 9 / FH 9 NL	2 1/2" FIP X 2 1/2" FIP	140	238	126	ALL	2	16

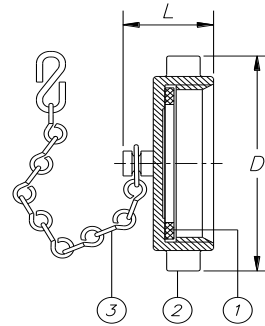
## 25.2. CAP & CHAIN



### FEATURE

BRASS MATERIAL

FHT



### MATERIAL SPECIFICATION

NO	PARTS	BRASS REGULAR
1	PACKING	RUBBER (NBR) SN-719F
2	CAP	BRASS ( C85700 )
3	CHAIN	BRASS ( C26000 )

ITEM NO.	SIZE	DIMENSIONS (mm)		PART NO.	QUANTITY	
		D	L		IB	OB
FH 6 CAP	1 1/2" FHT	81.5	28	ALL	12	72
FH 8 CAP	2 1/2" FHT	108	40.5	ALL	5	60

## 25.3. REDUCING ADAPTOR FIRE HOSE

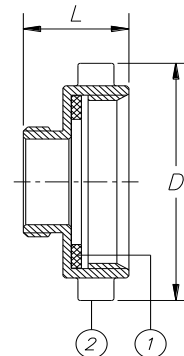


### FEATURE

BRASS MATERIAL

FHT X MHT

LOW LEAD  
AB 1953



### MATERIAL SPECIFICATION

NO	PARTS	BRASS REGULAR	BRASS REGULAR
1	PACKING	RUBBER (NBR) SN-719F	RUBBER (NBR) SN-719F
2	REDUCING ADAPTOR	BRASS ( C85700 )	BRASS ( C46400 MOD )
CERTIFIED UNDER		AB 1953	

ITEM NO.	SIZE	DIMENSIONS (mm)		PART NO.	QUANTITY	
		D	L		IB	OB
<b>REDUCING ADAPTER</b>						
FH 86 RA / FH 86 RA NL	2 1/2" FHT X 1 1/2" MHT	119.5	44	ALL	5	60
FH 83 RA / FH 83 RA NL	2 1/2" FHT X 3/4" MHT	119.5	43	ALL	5	60
FH 63 RA / FH 63 RA NL	1 1/2" FHT X 3/4" MHT	81.5	20.5	ALL	5	60

ITEM NO.	SIZE	DIMENSIONS (mm)		PART NO.	QUANTITY	
		D	L		IB	OB
<b>REDUCING MIP</b>						
FH 83 RM / FH 83 RM NL	2 1/2" FHT X 3/4" MIP	119.5	43	ALL	5	60
FH 84 RM / FH 84 RM NL	2 1/2" FHT X 1" MIP	119.5	43	ALL	5	60
FH 86 RM / FH 86 RM NL	2 1/2" FHT X 1 1/2" MIP	119.5	43	ALL	5	60
FH 87 RM / FH 87 RM NL	2 1/2" FHT X 2" MIP	119.5	45.5	ALL	5	60

## 25.4. REDUCING ADAPTER FIRE HOSE WITH SWIVELNUT

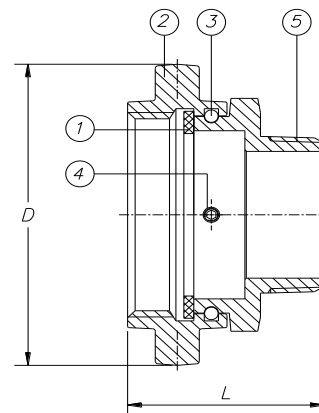


### FEATURE

BRASS MATERIAL

FHT X MHT

LOW LEAD  
AB 1953



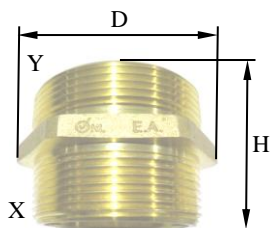
### MATERIAL SPECIFICATION

NO	PART	BRASS REGULAR	BRONZE REGULAR
1	PACKING	RUBBER (NBR) SN-719F	RUBBER (NBR) SN-719F
2	NUT	BRASS ( C85700 )	BRASS ( C46400 MOD )
3	BALL	HOT ROLLED ( SAE 1010R )	HOT ROLLED ( SAE 1010R )
4	BORG BOLT	STAINLESS STEEL ( 304 )	STAINLESS STEEL ( 304 )
5	NIPPLE	BRASS ( C85700 )	BRASS ( C46400 MOD )
CERTIFIED UNDER			AB 1953

ITEM NO.	SIZE	DIMENSION ( mm )		PART NO.	QUANTITY	
		D	L		IB	OB
RA 718L / RA 718L NL	2" MIP X 2 1/2" FHT	115	69	ALL	5	60
RA 918L / RA 918L NL	3" MIP X 2 1/2" FHT	115	83	ALL	5	60

## 25.5. REDUCING ADAPTER FIRE HOSE

ITEM NO.	SIZE		DIMENSION ( mm )		QUANTITY	
	X	Y	D	H	IB	OB
BS 661 / BS 661 NL	1 1/2" MHT	1 1/2" MHT	59.4	42		
BS 861 / BS 861 NL	2 1/2" MHT	1 1/2" MHT	90.5	52.2		
BS 881 / BS 881 NL	2 1/2" MHT	2 1/2" MHT	90.5	61.4		
BS 4141 / NS 4141 NL	1" MIP	1" MHT	42.6	44		
BS 4161 / BS 4161 NL	1" MIP	1 1/2" MHT	59.4	45.5		
BS 6161 / BS 6161 NL	1 1/2" MIP	1 1/2" MHT	59.4	46.6		
BS 6162 / BS 6162 NL	1 1/2" MIP	1 1/2" NPSH	57.1	46.6		
BS 6181 / BS 6181 NL	1 1/2" MIP	2 1/2" MHT	90.5	56.8		
BS 6261 / BS 6261 NL	1 1/2" NPSH	1 1/2" MHT	59.4	42		
BS 7161 / BS 7161 NL	2" MIP	1 1/2" MHT	70.6	48.5		
BS 7172 / BS 7172 NL	2" MIP	2" NPSH	70.6	51.5		
BS 7181 / NS 7181 NL	2" MIP	2 1/2" MHT	90.5	58.7		
BS 8161 / BS 8161 NL	2 1/2" MIP	1 1/2" MHT	84	53		
BS 8181 / BS 8181 NL	2 1/2" MIP	2 1/2" MHT	90.5	64.8		
BS 9181 / BS 8191 NL	3" MIP	2 1/2" MHT	101.6	65.9		
BS 9191 / BS 9191 NL	3" MIP	3" MHT	106.4	70.3		
BS 101451 / BS 101451 NL	4" MIP	4 1/2" MHT	166.9	74.9		
BS 601601 / BS 601601 NL	6" MIP	6" MHT	202.7	81.3		



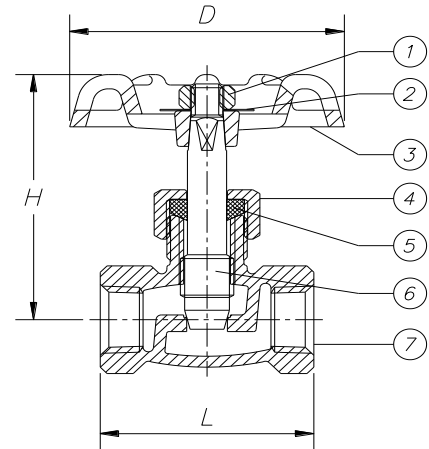
## 25.6. THREE WAY INSP. TEST

### FEATURE

BRASS & BRONZE MATERIAL

FIP THREE WAY

LOW LEAD  
AB 1953



### MATERIAL SPECIFICATION

NO	PARTS	BRASS REGULAR	BRONZE REGULAR	BRASS NO LEAD	BRONZE NO LEAD
1	WHEEL NUT	HOT ROLLED (SAE 1010R)	HOT ROLLED (SAE 1010R)	HOT ROLLED (SAE 1010R)	HOT ROLLED (SAE 1010R)
2	NAME PLATE	ALUMINIUM ( A1100 )	ALUMINIUM ( A1100 )	ALUMINIUM ( A1100 )	ALUMINIUM ( A1100 )
3	HANDWHEEL	CAST IRON ( JIS ZZ2202 )	CAST IRON ( JIS ZZ2202 )	CAST IRON ( JIS ZZ2202 )	CAST IRON ( JIS ZZ2202 )
4	PACKING NUT	BRASS ( C37700 )	BRASS ( C37700 )	BRASS ( C37700 )	BRASS ( C37700 )
5	GLAND PACKING	GRAPHITE ( LK 33 NAFG )	GRAPHITE ( LK 33 NAFG )	GRAPHITE ( LK 33 NAFG )	GRAPHITE ( LK 33 NAFG )
6	STEM	BRASS ( C37700 )	BRASS ( C37700 )	BRASS ( C46400 )	BRASS ( C46400 )
7	BODY	BRASS ( C85700 )	BRONZE ( C84400 ) BRONZE ( C83600 )	BRASS ( C46400 MOD )	BRASS ( C89844 MOD )
CERTIFIED UNDER				AB 1953	AB 1953

ITEM NO.	SIZE	DIMENSIONS (mm)			PART NO.	QUANTITY	
		H	L	D		IB	OB
TW 0 / TW 0 NL	1/4" FIP THREE WAY	63	42	53	ALL	10	150