

## 27. TRAP

### 27.1. P - TRAP

#### FEATURE

BRASS & BRONZE MATERIAL

FCXC X FCXC

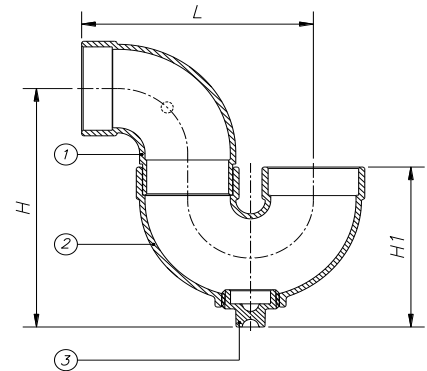
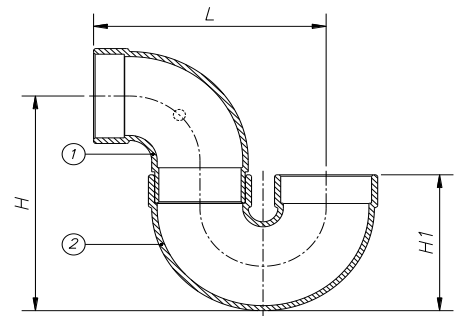
FCXC X FCXC + PLUG



TRAP 16, 17



TRAP 116, 117



#### MATERIAL SPECIFICATION

NO.	PART	BRASS REGULAR	BRONZE REGULAR
1	NIPPLE	BRASS ( C85700 )	BRONZE ( C84400 ) BRONZE ( C83600 )
2	BODY	BRASS ( C85700 )	BRONZE ( C84400 ) BRONZE ( C83600 )
3	PLUG	BRASS ( C85700 )	BRONZE ( C84400 ) BRONZE ( C83600 )
CERTIFIED UNDER			

ITEM NO.	SIZE	DIMENSION (mm)			PART NO.	QUANTITY	
		L	H	H1		IB	OB
TRAP 16 / TRAP 16 NL	1 1/2" FCXC X 1 1/2" FCXC	106	106.25	67.25	ALL		
TRAP 116 / TRAP 116 NL	1 1/2" FCXC X 1 1/2" FCXC + PLUG	106	118.5	79.5	ALL		
TRAP 17 / TRAP 17 NL	2" FCXC X 2" FCXC	140.5	135	84.8	ALL		
TRAP 117 / TRAP 117 NL	2" FCXC X 2" FCXC + PLUG	140.5	140.8	90.6	ALL		

## 27.2. TRAP WITH CLEAN NUT

HEAVY DUTY

### FEATURE

BRASS & BRONZE MATERIAL

MIP X MIP + PLUG

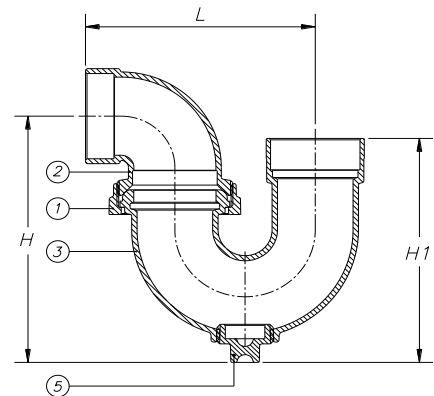
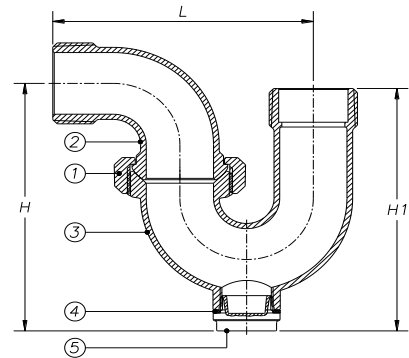
FCXC X FCXC + PLUG



TRAP 5-7



TRAP 116U



### MATERIAL SPECIFICATION

NO.	PART	BRASS REGULAR	BRONZE REGULAR
		1	NIPPLE
2	BODY	BRASS ( C85700 )	BRONZE ( C84400 ) BRONZE ( C83600 )
3	PLUG	BRASS ( C85700 )	BRONZE ( C84400 ) BRONZE ( C83600 )
CERTIFIED UNDER			

ITEM NO.	SIZE	DIMENSION (mm)			PART NO.	QUANTITY	
		L	H	H1		IB	OB
TRAP 5 / TRAP 5 NL	1 1/4" MIP X 1 1/4" MIP + PLUG	92	128.5	126	ALL	1	12
TRAP 6 / TRAP 6 NL	1 1/2" MIP X 1 1/2" MIP + PLUG	96.5	129	126	ALL	1	12
TRAP 7 / TRAP 7 NL	2" MIP X 2" MIP + PLUG	123	178.5	148	ALL	1	6
TRAP 116U / TRAP 116U NL	1 1/2" FCXC X 1 1/2" FCXC + PLUG	106.4	120	108.9	1, 2, 3, 5		