

32. RELIEF VALVE

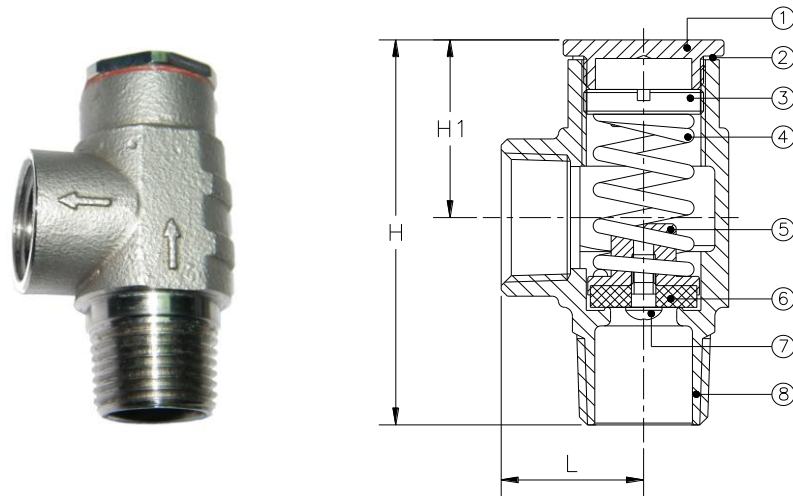
32.1. RELIEF VALVE

STAINLESS STEEL

FEATURE

STAINLESS STEEL (304) MATERIAL

MIP X FIP



MATERIAL SPECIFICATION

NO	PARTS	MATERIALS
1	BONNET	STAINLESS STEEL (304)
2	PACKING	FIBRE
3	SPRING CAP	BRASS (C37700)
4	SPRING	STAINLESS STEEL (304)
5	SEAT HOUSE	BRASS (C37700)
6	SEAT PACKING	RUBBER (NBR) SN-819F
7	SEAT SCREW	STAINLESS STEEL (304)
8	BODY	STAINLESS STEEL (304)

ITEM No.	SIZE	DIMENSION (mm)			PART NO.	QUANTITY	
		L	H	H1		IB	OB
RV 34 STS	1/2" MIP X 1/2" FIP	22.6	62.3	28.8	ALL		
RV 35 STS	3/4" MIP X 1/2" FIP	22.6	62.3	28.8	ALL		



PT. EVER AGE VALVES METALS
GRESIK - INDONESIA

PHONE : 63-31-8976388
63-31-8978388
63-31-8972988

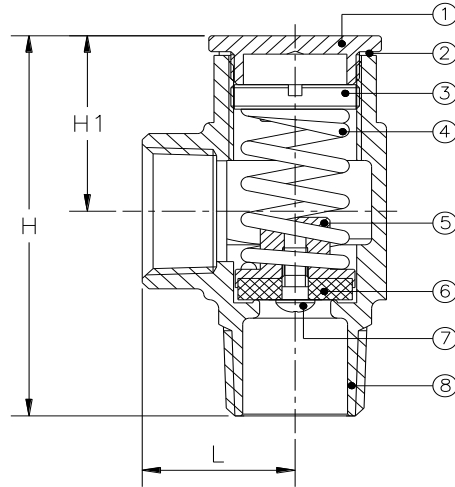
FAX : 62-31-8977288 / 62-31-8982899
E-MAIL : everagevalvesmetals@gmail.com
Website : www.everagevalves.com

32.2. RELIEF VALVE

FEATURE

BRASS & BRONZE MATERIAL

MIP X FIP



MATERIAL SPECIFICATION

NO	PARTS	BRASS REGULAR	BRONZE REGULAR	BRASS NO LEAD	BRONZE NO LEAD
1	BONNET	BRASS (C37700)	BRASS (C37700)	BRASS (C46400)	BRASS (C46400)
2	PACKING	FIBRE	FIBRE	FIBRE	FIBRE
3	SPRING CAP	BRASS (C37700)	BRASS (C37700)	BRASS (C46400)	BRASS (C46400)
4	SPRING	BRASS (C37700)	BRASS (C37700)	BRASS (C46400)	BRASS (C46400)
5	SEAT HOUSE	BRASS (C37700)	BRASS (C37700)	BRASS (C46400)	BRASS (C46400)
6	SEAT PACKING	RUBBER (NBR) SN-819F	RUBBER (NBR) SN-819F	RUBBER (NBR) SN-819F	RUBBER (NBR) SN-819F
7	SEAT SCREW	STAINLESS STEEL (304)	STAINLESS STEEL (304)	STAINLESS STEEL (304)	STAINLESS STEEL (304)
8	BONNET	BRASS (C85700)	BRONZE (C84400) BRONZE (C83600)	BRASS (C46400 MOD)	BRASS (C89844 MOD)

ITEM NO.	SIZE	DIMENSION (mm)			PART NO.	QUANTITY	
		L	H	H1		IB	OB
RV 34 / RV 35 NL	1/2" MIP X 1/2" FIP	22.6	62.3	28.8	ALL		
RV 35 / RV 35 NL	3/4" MIP X 1/2" FIP	22.6	62.3	28.8	ALL		