

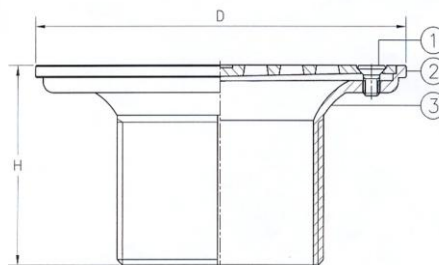
33. STRAINER

33.1. TOP HOUSING SHOWER PAN DRAIN

FEATURE

BRASS MATERIAL

THREADED ENDS



MATERIAL SPECIFICATION

NO	PARTS	MATERIALS
1	BOLT	BRASS (C26000)
2	COVER	BRASS (C85700)
3	BODY	BRASS (C85700)

ITEM NO.	SIZE	DIMENSION (mm)		PART NO.	QUANTITY	
		D	H		IB	OB
ST 7	2"	105.5	52.5	ALL	2	24



PT. EVER AGE VALVES METALS
GRESIK - INDONESIA

PHONE : 62-31-8976388
62-31-8978388
62-31-8972988

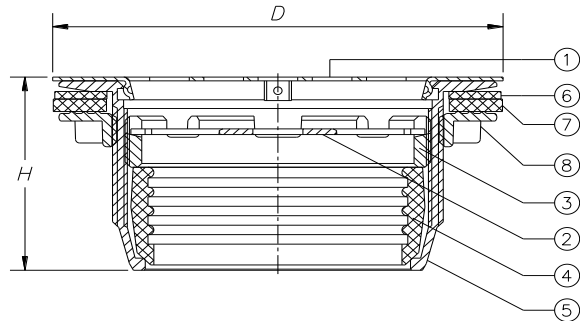
FAX : 62-31-8977288 / 62-31-8982899
E-MAIL : everagevalvesmetals@gmail.com
Website : www.everagevalves.com

33.2. SHOWER DRAIN CAULKING WITH INTERNAL GASKET

FEATURE

BRASS MATERIAL

THREADED ENDS



MATERIAL SPECIFICATION

NO	PARTS	MATERIALS
1	FILTER	STAINLESS STEEL (304)
2	KEY FACE PLAT	HOT ROLLED (SAE 1010R)
3	LOCK NUT	BRASS (C85700)
4	PACKING	RUBBER (NBR) SN-719F
5	BODY	BRASS (C85700)
6	PACKING	BUFALLO PAPER
7	PACKING	RUBBER (NBR) SN-719F
8	FLANGE NUT	BRASS (C85700)

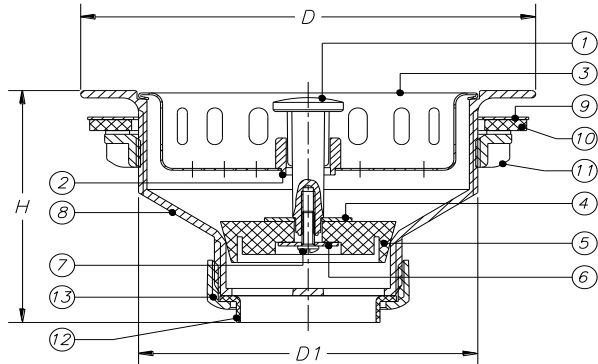
ITEM NO.	SIZE	DIMENSION (mm)		PART NO	QUANTITY	
		51	108		IB	OB
ST 7M	2"	51	108	ALL		

33.3. SINK STRAINER

FEATURE

BRASS MATERIAL

THREADED ENDS



MATERIAL SPECIFICATION

NO	PARTS	MATERIALS
1	STEM	ZINC (Z30A)
2	STEM HOUSE	BRASS (C37700)
3	FILTER	STAINLESS STEEL (304)
4	WASHER	STAINLESS STEEL (304)
5	SEAT PACKING	RUBBER (NBR) SN-819F
6	WASHER	STAINLESS STEEL (304)
7	SEAT SCREW	BRASS (C26000)
8	BODY	BRASS (C85700)
9	PACKING	BUFALLO PAPER
10	PACKING	RUBBER (NBR) SN-719F
11	FLANGE NUT	BRASS (C85700)
12	PACKING	POM M90 FORMOCON FM090 CF500P
13	PACKING NUT	BRASS (C85700)

ITEM NO.	SIZE	DIMENSION (mm)			PART NO	QUANTITY	
		H	D	D1		IB	OB
DST 6	1 1/2"	63.3	114	85	ALL	7	25



PT. EVER AGE VALVES METALS
GRESIK – INDONESIA

PHONE : 62-31-8976388
62-31-8978388
62-31-8972988

FAX : 62-31-8977288 / 62-31-8982899
E-MAIL : everagevalvesmetals@gmail.com
Website : www.everagevalves.com

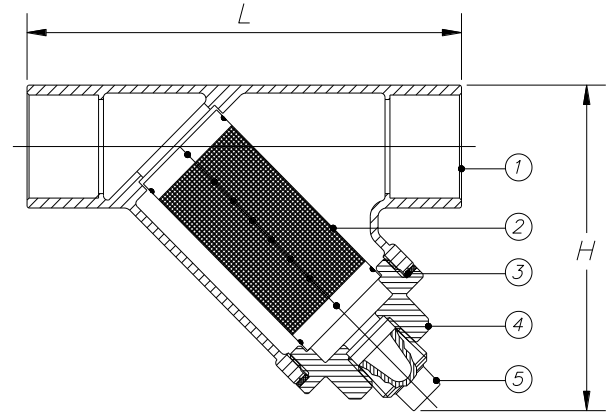
33.4. " Y " - STRAINER

33.4.1. FCXC Y - STRAINER

FEATURE

BRASS & BRONZE MATERIAL

LOW LEAD
AB 1953 ✓



MATERIAL SPECIFICATION

NO	PARTS	BRASS REGULAR	BRONZE REGULAR	BRASS NO LEAD	BRONZE NO LEAD
1	BODY	BRASS (C85700)	BRONZE (C84400) BRONZE (C83600)	BRASS (C46400 MOD)	BRASS (C89844 MOD)
2	FILTER	STAINLESS STEEL (304)	STAINLESS STEEL (304)	STAINLESS STEEL (304)	STAINLESS STEEL (304)
3	PACKING	FIBRE	FIBRE	FIBRE	FIBRE
4	BONNET	BRASS (C85700)	BRONZE (C84400) BRONZE (C83600)	BRASS (C46400 MOD)	BRASS (C89844 MOD)
5	PLUG	BRASS (C85700)	BRONZE (C84400) BRONZE (C83600)	BRASS (C46400 MOD)	BRASS (C89844 MOD)
CERTIFIED UNDER				AB 1953	AB 1953

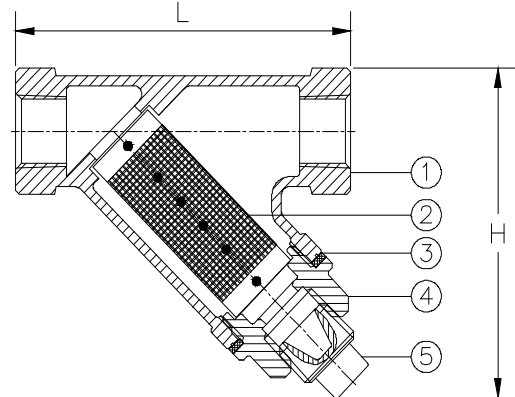
ITEM NO.	SIZE	DIMENSION (mm)		PART NO	QUANTITY	
		L	H		IB	OB
STY 0C / STY 0C NL	1/4" FCXC	85	71.5	ALL	10	100
STY 11 / STY 11 NL	3/8" FCXC	88.5	71.5	ALL	10	100
STY 12 / STY 12 NL	1/2" FCXC	87	72	ALL	10	100
STY 13 / STY 13 NL	3/4" FCXC	109.5	83	ALL	10	80
STY 14 / STY 14 NL	1" FCXC	129.5	96	ALL	5	60
STY 15 / STY 15 NL	1 1/4" FCXC	150	111	ALL	5	30
STY 16 / STY 16 NL	1 1/2" FCXC	175	122.5	ALL	4	24
STY 17 / STY 17 NL	2" FCXC	219	150	ALL	2	12
STY 18 / STY 18 NL	2 1/2" FCXC	288	175	ALL	1	10

33.4.2. FIP Y - STRAINER

FEATURE

BRASS & BRONZE MATERIAL

LOW LEAD
AB 1953 ✓



MATERIAL SPECIFICATION

NO	PARTS	BRASS REGULAR	BRONZE REGULAR	BRASS NO LEAD	BRONZE NO LEAD
1	BODY	BRASS (C85700)	BRONZE (C84400) BRONZE (C83600)	BRASS (C46400 MOD)	BRASS (C89844 MOD)
2	FILTER	STAINLESS STEEL (304)	STAINLESS STEEL (304)	STAINLESS STEEL (304)	STAINLESS STEEL (304)
3	PACKING	FIBRE	FIBRE	FIBRE	FIBRE
4	BONNET	BRASS (C85700)	BRONZE (C84400) BRONZE (C83600)	BRASS (C46400 MOD)	BRASS (C89844 MOD)
5	PLUG	BRASS (C85700)	BRONZE (C84400) BRONZE (C83600)	BRASS (C46400 MOD)	BRASS (C89844 MOD)
CERTIFIED UNDER				AB 1953	AB 1953

ITEM NO.	SIZE	DIMENSION (mm)		PART NO	QUANTITY	
		L	H		IB	OB
STY 0 / STY 0 NL	1/4" FIP	81.5	77	ALL	10	100
STY 1 / STY 1 NL	3/8" FIP	82	77	ALL	10	100
STY 2 / STY 2 NL	1/2" FIP	82	76.5	ALL	10	100
STY 3 / STY 3 NL	3/4" FIP	100	88.6	ALL	10	80
STY 4 / STY 4 NL	1" FIP	115	102.5	ALL	5	60
STY 5 / STY 5 NL	1 1/4" FIP	135.5	119.5	ALL	5	30
STY 6 / STY 6 NL	1 1/2" FIP	157.5	127.5	ALL	4	24
STY 7 / STY 7 NL	2" FIP	189	156	ALL	2	12
STY 8 / STY 8 NL	2 1/2" FIP	227	183.5	ALL	1	10
STY 9 / STY 9 NL	3" FIP	254	199.5	ALL	1	10